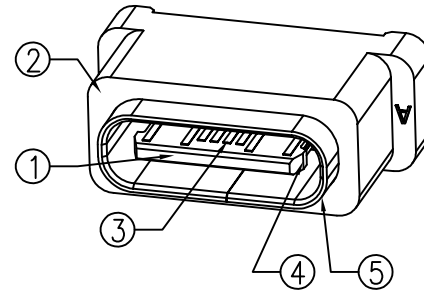
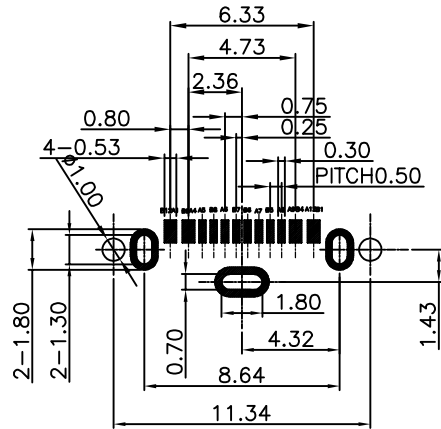
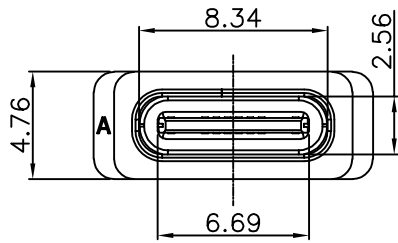


RoHS Compliant

REVISIONS			
REV.	DESCRIPTION	DATE	DESIGN



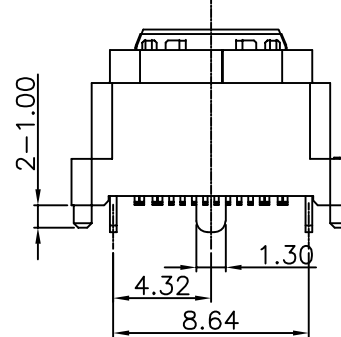
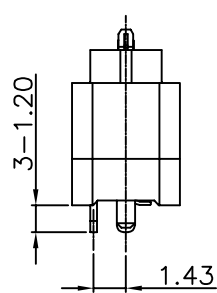
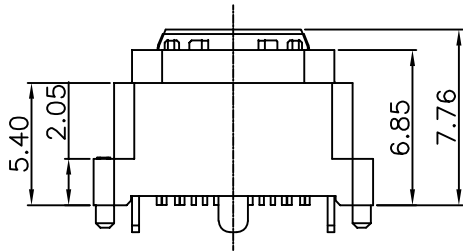
NOTES:

SPECIFICATION:

- CURRENT RATING: 3.0A MAX
- DIELECTRIC WITHSTAND VOLTAGE: 100VAC
- TEMPERATURE RANGE: -30 °C ~ 85 °C
- CONTACT RESISTANCE: 40 MILLIONHM MAX
- INSULATION RESISTANCE: 100 MEGOHMS MIN.
- INSERTION FORCE : 5N~20N
- UNMATING FORCE: 8N~20N
- DURABILITY:10,000 CYCLES

RECOMMENDED PCB LAYOUT(TOP VIEW)
(GENERAL TOLERANCE±0.05)

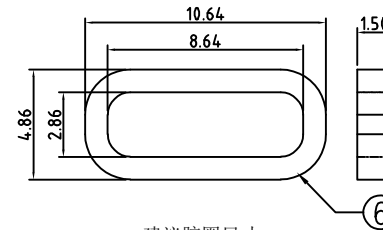
PCB板设计需修改LAYOUT时, 请知会厂商修改检验孔规



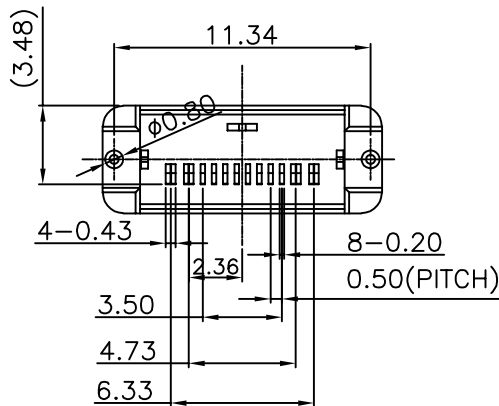
PART NO. INFORMATION

U06-C F X X 5 R - W187

- PORT TYPE: C: TYPE C
- GENDER: F: FEMALE, M: MALE
- CONTACT PLATED: 1: GOLD FLASH, 2: GOLD 3U'', 3: GOLD 5U'', 4: GOLD 10U'', 5: GOLD 15U'', 6: GOLD 30U''
- PACKAGE: R: TAPE REEL
- HOUSING COLOR: 2: WHITE, 5: BLACK, 9: NATURE
- HOUSING MATERIAL: A: LCP, B: PBT, C: PA9T, D: PA6T, E: PA46, F: PA66, G: PA10T



建议胶圈尺寸



A1	GND	B12	GND
A4	VBUS	B9	VBUS
A5	CC1	B8	SBU2
A6	DP1	B7	DN2
A7	DN1	B6	DP2
A8	SBU1	B5	CC2
A9	VBUS	B4	VBUS
A12	GND	B1	GND
PIN	SIGNAL NAME	PIN	SIGNAL NAME

NO.	DESCRIPTION	MATERIAL	REMARKS	QTY
7	Cap	HIGH TEMPERATURE PLASTIC	BLACK	1PCS
6	防水圈	硅胶	BLACK	1PCS
5	SHELL	STAINLESS STEEL	NI Plated	1PCS
4	SHIELDING PLATE	STAINLESS STEEL	NI Plated	1PCS
3	CONTACT	High Conductivity Copper	Au/Ni Plated	1SET
2	SHELL HOUSING	HIGH TEMPERATURE PLASTIC	BLACK	1PCS
1	HOUSING	HIGH TEMPERATURE PLASTIC	BLACK	1PCS

Bestcreate Technology Limited

TOLERANCES UNLESS OTHERWISE SPECIFIED:

.X	± 0.50	X.*	± 2'
.XX	± 0.30	.X'	± 1'
.XXX	± 0.20	.XX'	± 0.5'

DESIGN: I. L DATE: 2018.7.7

CHECKED: C. W DATE: 2018.7.7

APPROVED: C. W DATE: 2018.7.7

TITLE: IPX7 WATERPROOF USB C FEMALE 2.0 16P VERTICAL SMT TYPE

MATERIAL: U06-CFXX5R-W187 SIZE: A4

FINISH: DWG NO: U06-CFXX5R-W187 1 OF 2

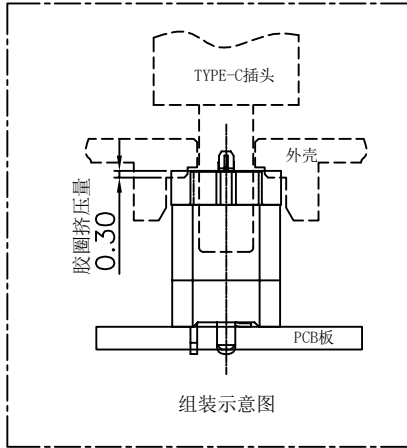
REV: A UNIT mm SCALE 1=1 QUALITY SYMBOLS

Website:www.bsc-elec.com Email:bestcreate@bsc-elec.com

RoHS Compliant

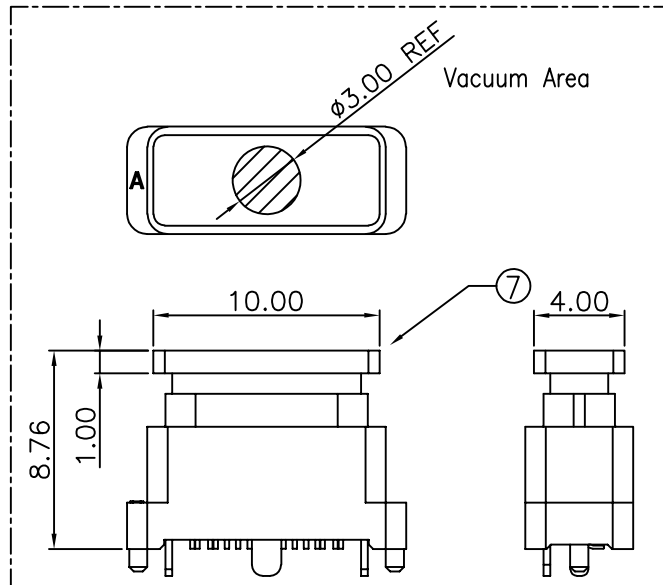
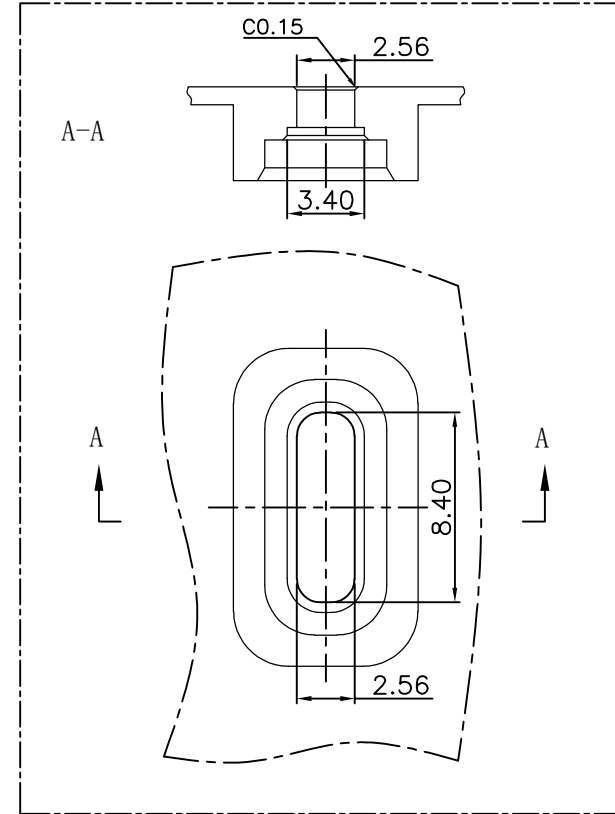
REVISIONS			
REV.	DESCRIPTION	DATE	DESIGN

组装示意图



结构设计注意：
成品使用时，如有洗面奶泡沫、牙膏、洗手液、脏污液体，请在TYPE-C口外面再设计一层外壳，保护TYPE-C母座与公头连接的金手指不会被脏污覆盖。

外壳参考设计图



Bestcreate Technology Limited

TOLERANCES UNLESS OTHERWISE SPECIFIED:

.X	± 0.50	.X'	± 2'
.XX	± 0.30	.X'	± 1'
.XXX	± 0.20	.X'	± 0.5'

DESIGN: I. L
DATE: 2018.7.7

CHECKED: C. W
DATE: 2018.7.7

APPROVED: C. W
DATE: 2018.7.7

TITLE: IPX7 WATERPROOF USB C
FEMALE 2.0 16P VERTICAL SMT TYPE

MATERIAL: PART NO: U06-CFXX5R-W187
SIZE: A4

FINISH: DWG NO: U06-CFXX5R-W187
2 OF 2

REV: A UNIT mm SCALE 1=1 QUALITY SYMBOLS

Website: www.bsc-elec.com
Email: bestcreate@bsc-elec.com