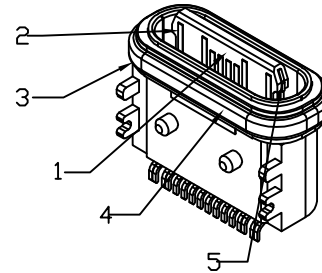
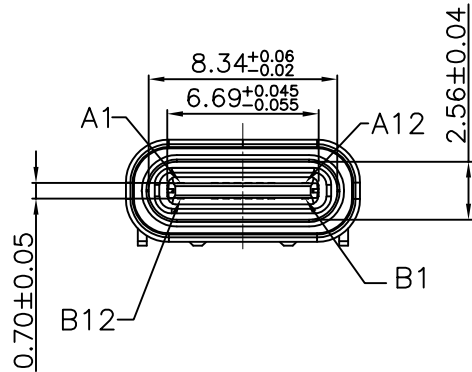


RoHS Compliant

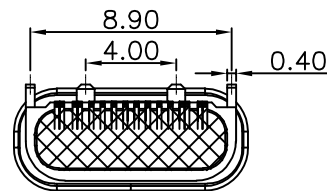
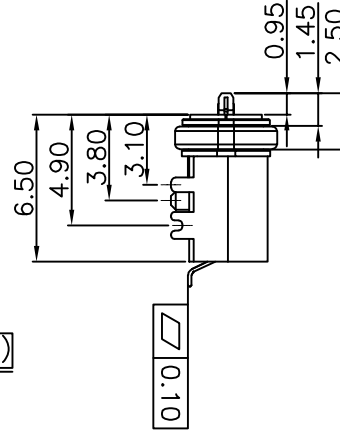
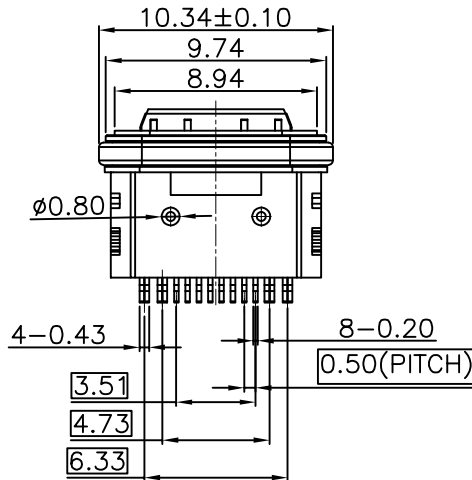
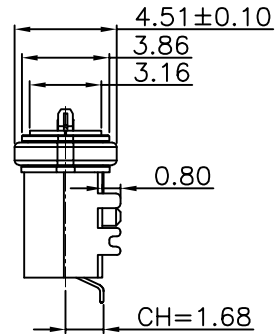
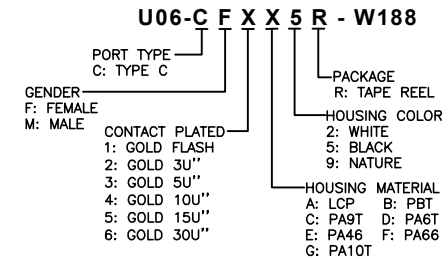
REVISIONS			
REV.	DESCRIPTION	DATE	DESIGN



NOTES:

1. MATERIAL: SEE "TABLE 1";
2. FINISH: SEE "TABLE 1";
3. ELECTRICAL :
 - 3.1 CONTACT CURRENT RATING :
3A MAX FOR VBUS PIN ;
1.25A MAX FOR GND PIN;
0.25A MAX FOR OTHER PIN;
 - 3.2 INSULATION RESISTANCE :
100 MEGAOHMS MIN.
 - 3.3 DIELECTRIC WITHSTANDING VOLTAGE :
100V AC MAX
 - 3.4 CONTACT RESISTANCE :40mΩ MAX.
4. MECHANICAL CHARACTERISTICS :
 - 4.1. MATING FORCE: 5~20N.;
 - 4.2. UNMATING FORCE: 8~20N(INITIAL),6~20N(AFTER 10000 CYCLES);
 - 4.3. DURABILITY : 10,000 MATING CYCLES.
 - 4.4. OPERATING TEMPERATURE : -40°C TO +80°C
5. WATER PROOFNESS: THIS PRODUCT IS BASED ON IPX7.
6. PACKAGING: TAPE & REEL.

PART NO. INFORMATION



ITEM	PART NAME	Q'TY	FINISH	NOTE
5	MID PALTE	1	SUS301	T=0.15mm
4	O RING	1	SILICON RUBBER	RED
3	Shell	1	ZINC ALLOG Ni 40-80u"	WHITE
2	Contact	16	C7025 Ni 50U"; Au 3U"Plating	T=0.15mm
1	Housing	1	PA10T (G.F30%)	BLACK

Bestcreate Technology Limited

TOLERANCES UNLESS OTHERWISE SPECIFIED:

.X	± 0.50	X.*	± 2"
.XX	± 0.30	.X'	± 1"
.XXX	± 0.20	.XX'	± 0.5"

Website: www.bsc-elec.com
Email: bestcreate@bsc-elec.com

DESIGN: I. L
DATE: 2018.7.7

CHECKED: C. W
DATE: 2018.7.7

APPROVED: C. W
DATE: 2018.7.7

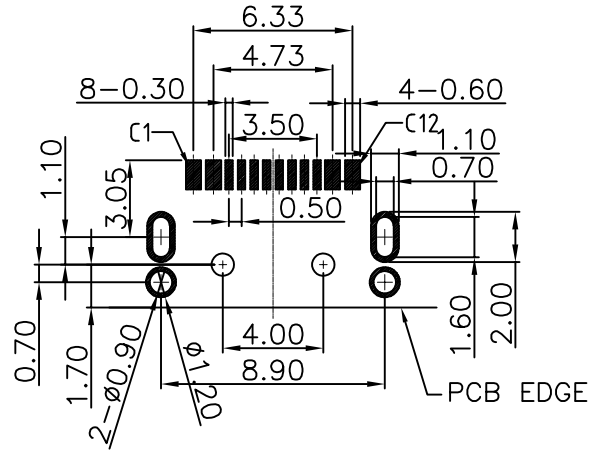
TITLE: IPX7 WATERPROOF USB C FEMALE 16P CONNECTOR SMT TYPE, CH=1.68

MATERIAL:	PART NO: U06-CFXX5R-W188	SIZE: A4
FINISH:	DWG NO: U06-CFXX5R-W188	1 OF 2

REV: A	UNIT: mm	SCALE: 1=1	QUALITY SYMBOLS
--------	----------	------------	-----------------

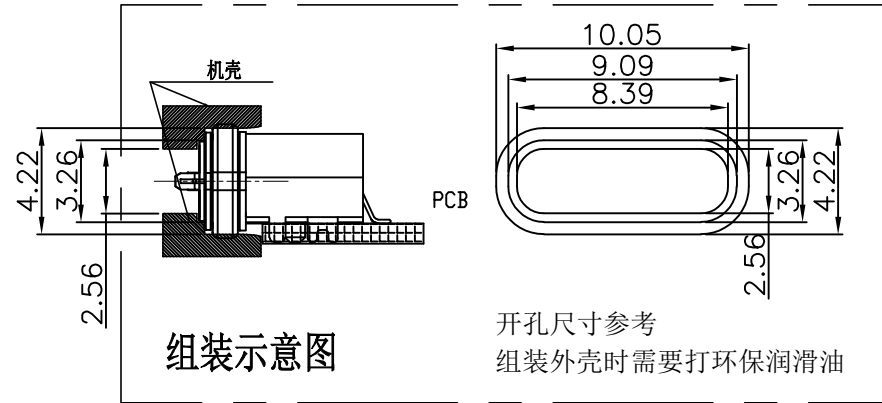
RoHS Compliant

REVISIONS			
REV.	DESCRIPTION	DATE	DESIGN



RECOMMENDED PCB LAYOUT(TOP VIEW)

THICKNESS T=0.8mm
DEFAULT TOLERANCE+/-0.05



INTERFACE(FRONT VIEW)

A1	A2	A3	A4	A5	A6	A7	A8	A9	A10	A11	A12
GND			VBUS	CC1	DP1	DN1	SBU1	VBUS			GND
GND			VBUS	SBU2	DN2	DP2	CC2	VBUS			GND
B12	B11	B10	B9	B8	B7	B6	B5	B4	B3	B2	B1

PIN ASSIGNMENT

PIN NO.	A1&B12	A4&B9	B8	A5	B7	A6	A7	B6	A8	B5	A9&B4	A12&B1
SINGAL NAME	GND	VBUS	SBU2	CC1	DN2	DP1	DN1	DP2	SBU1	CC2	VBUS	GND
PCB PAD NO.	C1	C2	C3	C4	C5	C6	C7	C8	C9	C10	C11	C12

Bestcreate Technology Limited

TOLERANCES UNLESS OTHERWISE SPECIFIED:

.X	± 0.50	X.*	± 2*
.XX	± 0.30	.X*	± 1*
.XXX	± 0.20	.XX*	± 0.5*

DESIGN: I. L. DATE: 2018.7.7

CHECKED: C. W. DATE: 2018.7.7

APPROVED: C. W. DATE: 2018.7.7

TITLE: IPX7 WATERPROOF USB C FEMALE 16P CONNECTOR SMT TYPE,CH=1.68

MATERIAL: PART NO: U06-CFXX5R-W188 SIZE: A4

FINISH: DWG NO: U06-CFXX5R-W188 2 OF 2

REV: A UNIT mm SCALE 1=1 QUALITY SYMBOLS

Website:www.bsc-elec.com Email:bestcreate@bsc-elec.com