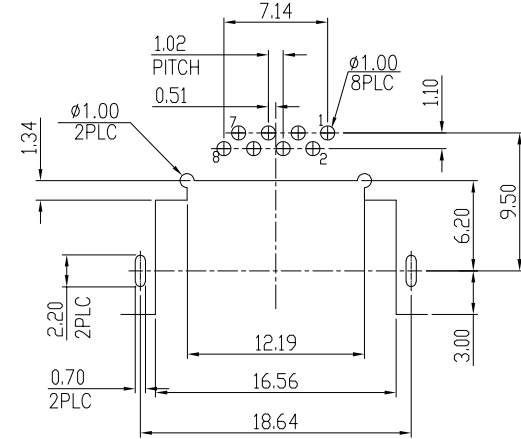
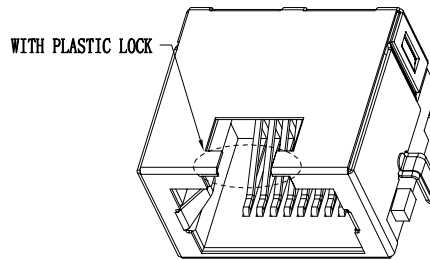
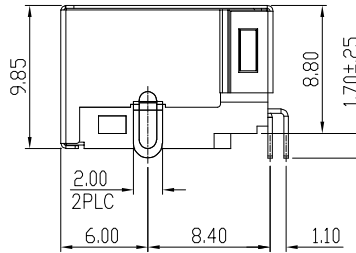
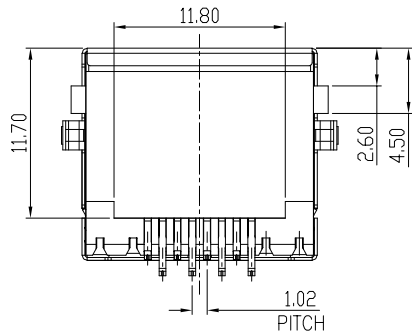
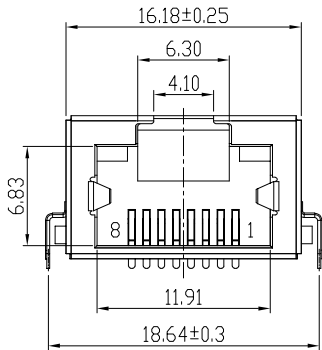
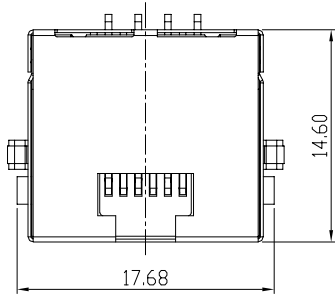


RoHS Compliant

SPECIFICATION

- 1.CURRENT RATING: 1.5AMPS
- 2.VOLTAGE RATING: 125V AC
- 3.INSULATION RESISTANCE: 500MΩ MIN.
- 4.WITHSTAND VOLTAGE:
AC1000V RMS 50Hz or 60Hz MIN.
- 5.CONTACT RESISTANCE:30mΩ MAX.
- 6.DURABILITY: 750 MATING CYCLES
- 7.OPERATING TEMPERATURE: -25~C~+ 80~C

REVISIONS			
REV.	DESCRIPTION	DATE	DESIGN



Recommend PCB Layout
Jack Top View
Tolerance: ±0.05mm

PART NO. INFORMATION

RJ01- 8 6 2 T - 105-V1

CONTACT PLATED

- 1: G/F
- 2: AU 3U"
- 3: AU 6U"
- 8: 50U"

- PACKAGE
- R: TAPE REEL
- T: TRAY

HOUSING:
2.LCP BLACK

c	SHELL	1	BRASS	Ni PLATING	
b	TERMINAL	8	PHOSPHOR BRONZE	SEE TABLE	
a	HOUSING	1	LCP+30%G.F UL94V-0	BLACK	
NO.	PART NAME	Q'TY	MATERIAL	PLATING & COLOR	Remark

<h1>Bestcreate Technology Limited</h1>				TOLERANCES UNLESS OTHERWISE SPECIFIED:		DESIGN: I.L	DATE: 2025.05.17	TITLE: MID MOUNT 8.8MM RJ45 CONNECTOR DIP TYPE H=9.9MM	
				.X ± 0.30	.X' ± 3'	CHECKED: C.W	DATE: 2025.05.17	MATERIAL: R	PART NO: RJ01-862T-105-V1
REV: A	UNIT: mm	SCALE: 1=1	QUALITY SYMBOLS	Website: www.bsc-elec.com	APPROVED: C.W	DATE: 2025.05.17	FINSH: R	DWG NO: RJ01-862T-105-V1	
				Email: bestcreate@bsc-elec.com					