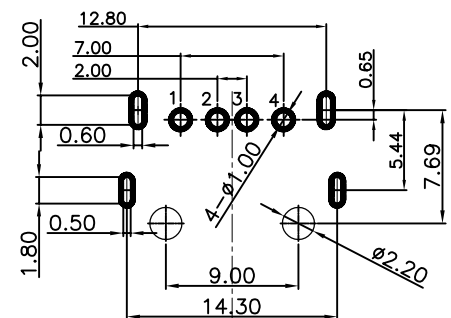
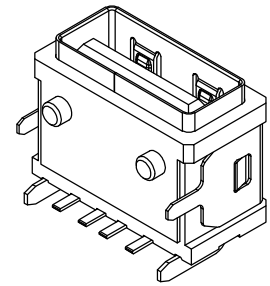
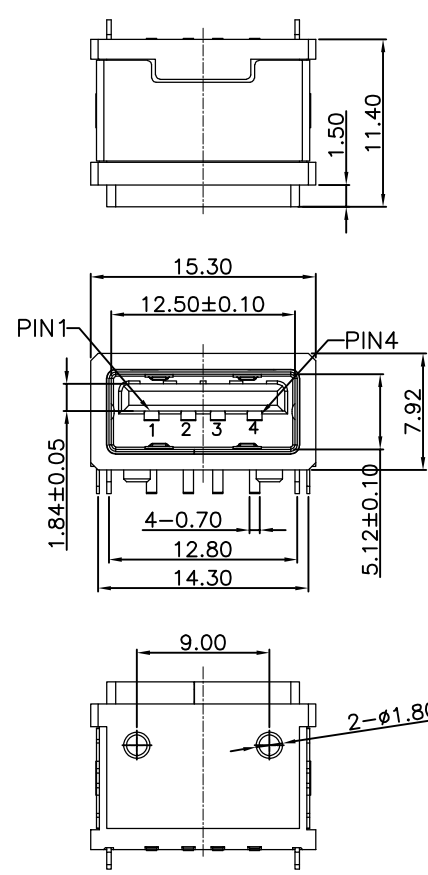
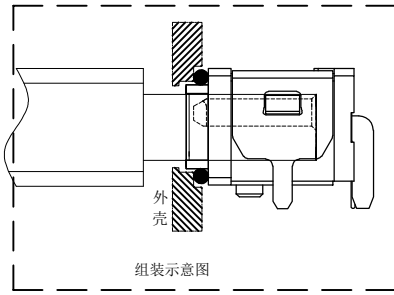
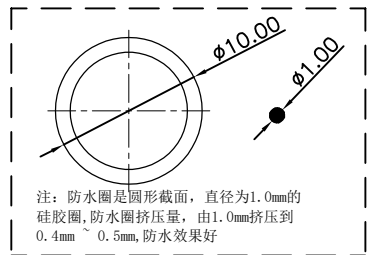
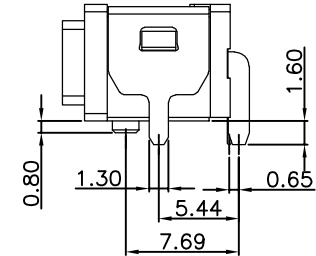


RoHS Compliant

REVISIONS			
REV.	DESCRIPTION	DATE	DESIGN



RECOMMENDED PCB LAYOUT(TOP VIEW)
 THICKNESS T=1.0mm
 DEFAULT TOLERANCE+/-0.05
 PCB板设计需修改LAYOUT时, 请知会厂商修改检验孔规



- NOTES:
 SPECIFICATION:
- CURRENT RATING: 3.0A MAX
 - DIELECTRIC WITHSTAND VOLTAGE: 100VAC
 - TEMPERATURE RANGE: -30 °C ~ 85 °C
 - CONTACT RESISTANCE: 40 MILLIONHM MAX
 - INSULATION RESISTANCE: 100 MEGOHMS MIN.
 - INSERTION FORCE :10N~30N
 - UNMATING FORCE: 8N~30N
 - DURABILITY:1500 CYCLES

PART NO. INFORMATION
U01-A F X X 5 R - W001-V1

PORT TYPE
 A: TYPE A

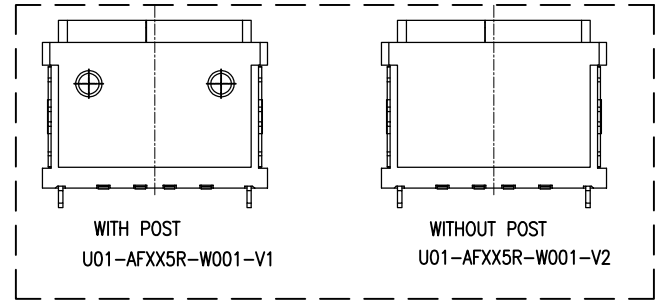
GENDER
 F: FEMALE
 M: MALE

CONTACT PLATED
 1: GOLD FLASH
 2: GOLD 3U"
 3: GOLD 5U"
 4: GOLD 10U"
 5: GOLD 15U"
 6: GOLD 30U"

PACKAGE
 R: TAPE REEL T: TRAY

HOUSING COLOR
 2: WHITE
 5: BLACK
 9: NATURE

HOUSING MATERIAL
 A: LCP B: PBT
 C: PA9T D: PA6T
 E: PA46 F: PA66
 G: PA10T



结构设计注意:
 1. 成品使用时, 如有洗面奶泡沫、牙膏、洗手液、脏污液体, 请在USB口外面再设计一层外壳, 保护USB与公头对插的导电部份不会被脏污覆盖。

PIN ASSIGNMENT

PIN NO.	1	2	3	4
SINGAL NAME	VBUS	D-	D+	GND

ITEM	PART NAME	Q' TY	FINISH	NOTE
5	Outer Shell	1	SUS 301 1/4H	
4	Inner Shell	1	SUS 301 1/4H	
3	PLASTIC Shell	1	PA10T Vicnyl R630NH (G.F30%)	
2	Contact	4	C7025 Ni 50U" Au1U" Plating Solder area Sn 100-150U"	
1	Housing	1	PA10T Vicnyl R630NH (G.F30%)	

Bestcreate Technology Limited

TOLERANCES UNLESS OTHERWISE SPECIFIED:

X.	± 0.50	X.*	± 2'
.X	± 0.30	.X'	± 1'
.XX	± 0.10	.XX'	± 0.5'

Website:www.bsc-elec.com
 Email:bestcreate@bsc-elec.com

DESIGN: I.L DATE: 2017.3.1
 CHECKED: C.W DATE: 2017.3.1
 APPROVED: C.W DATE: 2017.3.1

TITLE: **IPX7 WATERPROOF USB 2.0 A FEMALE CONNECTOR 4P DIP TYPE**

MATERILA: FINSH: U01-AFXX5R-W001-V1
 PART NO: U01-AFXX5R-W001-V1
 DWG NO: U01-AFXX5R-W001-V1
 SIZE: A4
 1 OF 1

REV: A	UNIT mm	SCALE 1=1	QUALITY SYMBOLS
--------	---------	-----------	-----------------