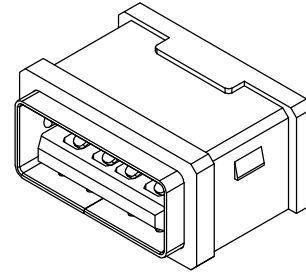
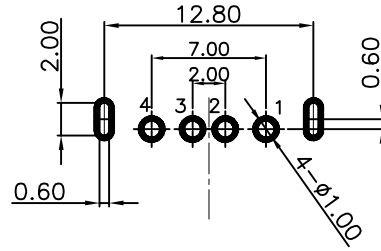
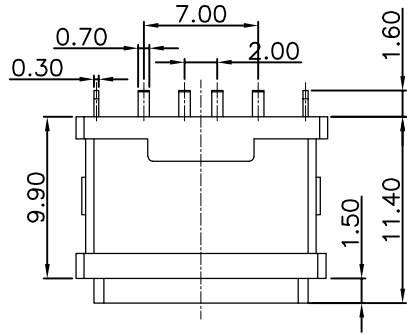


RoHS Compliant

| REVISIONS | | | |
|-----------|-------------|------|--------|
| REV. | DESCRIPTION | DATE | DESIGN |
| | | | |



RECOMMENDED PCB LAYOUT(TOP VIEW)

THICKNESS T=1.0mm
 DEFAULT TOLERANCE+/-0.05
 PCB板设计需修改LAYOUT时, 请知会厂商修改
 检验孔规

NOTES:

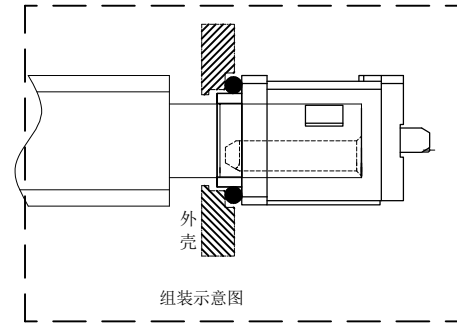
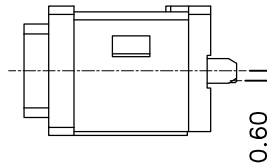
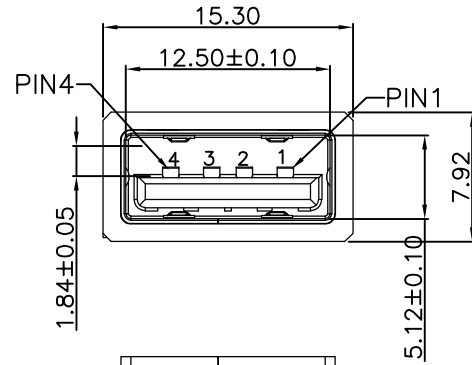
SPECIFICATION:

- CURRENT RATING: 3.0A MAX
- DIELECTRIC WITHSTAND VOLTAGE: 100VAC
- TEMPERATURE RANGE: -30 °C ~ 85 °C
- CONTACT RESISTANCE: 40 MILLIONHM MAX
- INSULATION RESISTANCE: 100 MEGOHMS MIN.
- INSERTION FORCE :10N~30N
- UNMATING FORCE: 8N~30N
- DURABILITY:1500 CYCLES

PART NO. INFORMATION

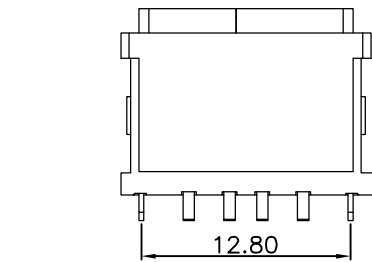
U01-A F X X 5 R - W014

- PORT TYPE: A: TYPE A
- GENDER: F: FEMALE, M: MALE
- CONTACT PLATED: 1: GOLD FLASH, 2: GOLD 3U'', 3: GOLD 5U'', 4: GOLD 10U'', 5: GOLD 15U'', 6: GOLD 30U''
- PACKAGE: R: TAPE REEL, T: TRAY
- HOUSING COLOR: 2: WHITE, 5: BLACK, 9: NATURE
- HOUSING MATERIAL: A: LCP, B: PBT, C: PA9T, D: PA6T, E: PA46, F: PA66, G: PA10T



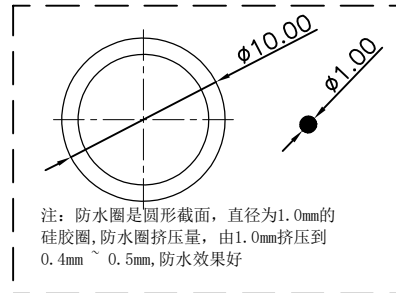
结构设计注意:

1. 成品使用时, 如有洗面奶泡沫、牙膏、洗手液、脏污液体, 请在USB口外面再设计一层外壳, 保护USB与公头对插的导电部份不会被脏污覆盖。



PIN ASSIGNMENT

| PIN NO. | 1 | 2 | 3 | 4 |
|-------------|------|----|----|-----|
| SINGAL NAME | VBUS | D- | D+ | GND |



注: 防水圈是圆形截面, 直径为1.0mm的硅胶圈, 防水圈挤压力, 由1.0mm挤压力到0.4mm ~ 0.5mm, 防水效果好

| 4 | Shell | 1 | SUS 301 1/4H | |
|------|---------------|-------|--|------|
| 3 | PLASTIC Shell | 1 | PA10T (G.F30%) | |
| 2 | Contact | 4 | C7025 Ni 50U'' Au1U'' Plating Solder area Sn 100-150U'' | |
| 1 | Housing | 1 | PA10T (G.F30%) | |
| ITEM | PART NAME | Q' TY | FINISH | NOTE |

Bestcreate Technology Limited

TOLERANCES UNLESS OTHERWISE SPECIFIED:

| | | | | | |
|-----|---|------|------|---|------|
| X. | ± | 0.50 | X.* | ± | 2' |
| .X | ± | 0.30 | .X' | ± | 1' |
| .XX | ± | 0.10 | .XX' | ± | 0.5' |

Website:www.bsc-elec.com
 Email:bestcreate@bsc-elec.com

DESIGN: I.L
 DATE: 2017.3.1
 CHECKED: C.W
 DATE: 2017.3.1
 APPROVED: C.W
 DATE: 2017.3.1

TITLE: **IPX7 WATERPROOF USB 2.0 A FEMALE CONNECTOR 4P DIP TYPE**
 MATERILA: PART NO: U01-AFXX5R-W014
 FINSH: DWG NO: U01-AFXX5R-W014
 SIZE: A4
 1 OF 1

REV: A
 UNIT: mm
 SCALE: 1=1
 QUALITY SYMBOLS