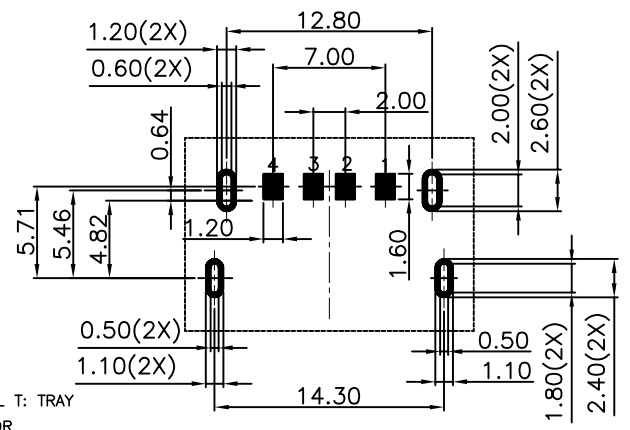
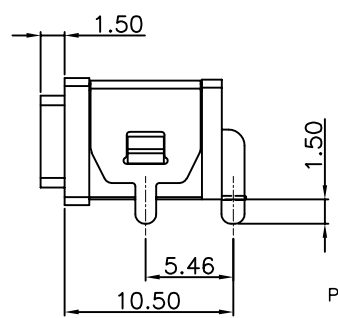
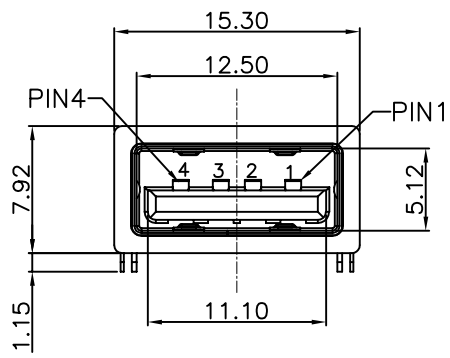
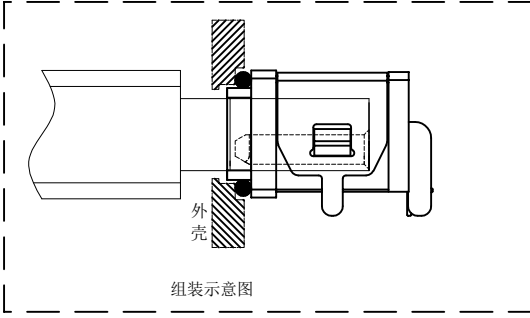


RoHS Compliant

REVISIONS			
REV.	DESCRIPTION	DATE	DESIGN

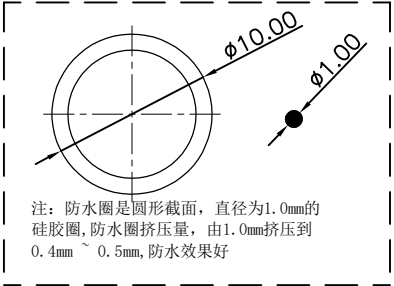
- NOTES:  
SPECIFICATION:
1. CURRENT RATING: 3.0A MAX
  2. DIELECTRIC WITHSTAND VOLTAGE: 100VAC
  3. TEMPERATURE RANGE: -30 °C ~ 85 °C
  4. CONTACT RESISTANCE: 40 MILLIONHM MAX
  5. INSULATION RESISTANCE: 100 MEGOHMS MIN.
  6. INSERTION FORCE :8N~30N
  7. UNMATING FORCE: 8N~30N
  8. DURABILITY:1500 CYCLES



RECOMMENDED PCB LAYOUT(TOP VIEW)  
THICKNESS T=1.0mm  
DEFAULT TOLERANCE+/-0.05

PART NO. INFORMATION

- U01-A F X X 5 R - W018**
- PORT TYPE: A: TYPE A
  - GENDER: F: FEMALE, M: MALE
  - CONTACT PLATED: 1: GOLD FLASH, 2: GOLD 3U", 3: GOLD 5U", 4: GOLD 10U", 5: GOLD 15U", 6: GOLD 30U"
  - PACKAGE: R: TAPE REEL T: TRAY
  - HOUSING COLOR: 2: WHITE, 5: BLACK, 9: NATURE
  - HOUSING MATERIAL: A: LCP B: PBT, C: PA9T D: PA6T, E: PA46 F: PA66, G: PA10T



PIN ASSIGNMENT

PIN NO.	1	2	3	4
SIGNAL NAME	VBUS	D-	D+	GND

4	Shell	1	SUS 304 1/4H	Ni Plating
3	PLASTIC Shell	1	PA10T (G.F30%)	BLACK UL94V-0
2	Contact	4	C7025 TM03 T=0.25mm	Au/Ni/SN Plating
1	Housing	1	PA10T (G.F30%)	BLACK UL94V-0
ITEM	PART NAME	Q' TY	FINISH	NOTE

**Bestcreate Technology Limited**

TOLERANCES UNLESS OTHERWISE SPECIFIED:

X.	± 0.50	X.'	± 2'
.X	± 0.30	.X'	± 1'
.XX	± 0.10	.XX'	± 0.5'

Website: www.bsc-elec.com  
Email: bestcreate@bsc-elec.com

DESIGN: I. L DATE: 2017. 3. 1  
CHECKED: C. W DATE: 2017. 3. 1  
APPROVED: C. W DATE: 2017. 3. 1

TITLE: RESVERSE IPX8 WATERPROOF USB 2.0 A FEMALE CONNECTOR 4P SMT TYPE

MATERILA:	PART NO: U01-AFXX5R-W018	SIZE: A4
FINSH:	DWG NO: U01-AFXX5R-W018	1 OF 1

REV:	UNIT	SCALE	QUALITY SYMBOLS
A	mm	1=1	