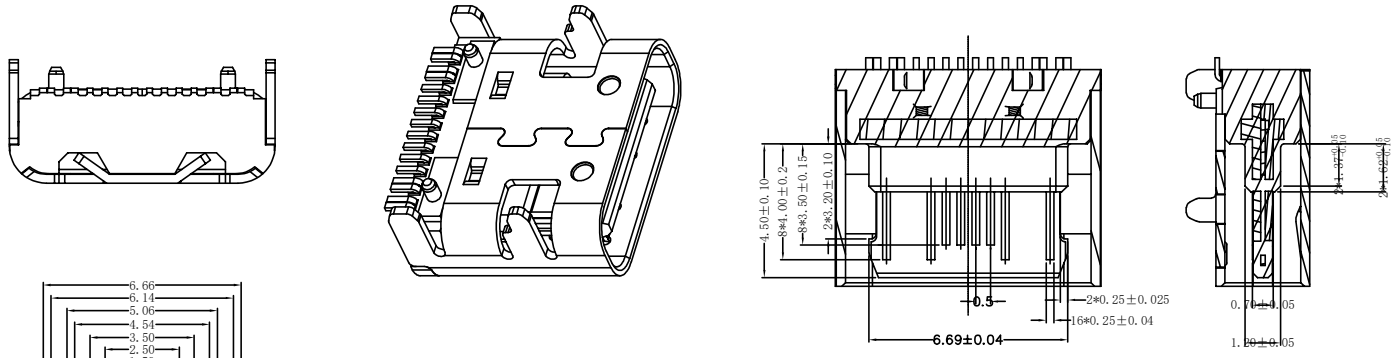


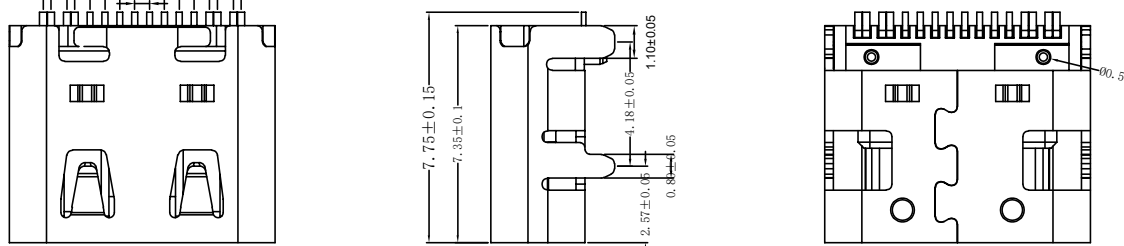
RoHS Compliant

REVISIONS

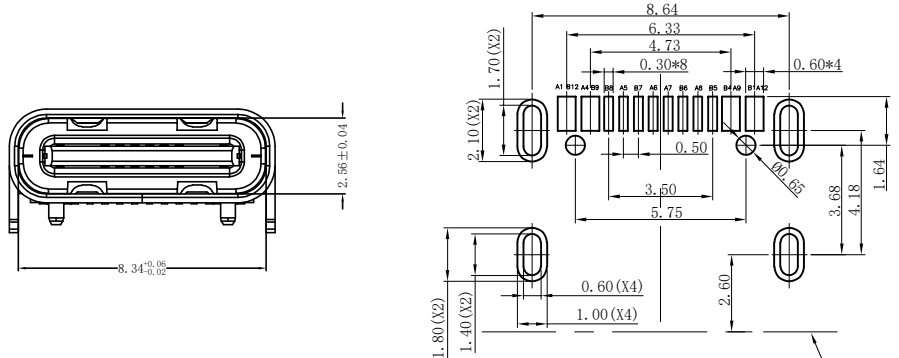
REV.	DESCRIPTION	DATE	DESIGN



备注:  
 1. 材质:  
 1.1 胶芯: LCP+30%G.F UL94V-0  
 1.2 端子: 高导电C7025/C2680; 镀底50U" MIN, 接触区域镀金 (Au 1u") 焊接区镀金G/F  
 1.3 外壳: SUS201/SUS304, T=0.30mm; 表面镀镍50U" MIN  
 1.4 中夹片: SUS301;  
 2. 主要特性:  
 2.1 额定电流: 3A/5A  
 2.2 接触阻抗: 40mΩ MAX (初始值) 50mΩ MAX (测试后)  
 2.3 绝缘阻抗: 100MΩ MIN  
 2.4 耐压测试: 100V AC R.M.S.  
 2.6 整体插入力: 5-20N 整体拔出力: 5-20N (耐久后) 整体拔出力: 6-20N (耐久后)  
 2.7 耐久: 10000次  
 2.8 耐高温: SMT回流焊 (峰值260° ±5°), 塑胶不能有起泡, 融胶等不良, 变色, 翘曲变形在公差范围以内;  
 2.9 产品须做焊锡测试, 粘锡面积达到95%以上;  
 3.0 盐雾测试: 24H MIN  
 3.1 工作温度: -30℃ ~ +85℃

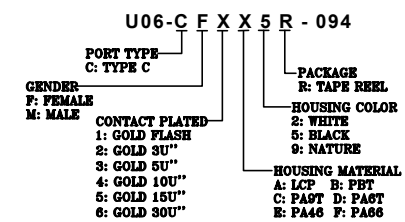


A1	GND	B12	GND
A4	VBUS	B9	VBUS
A5	CC1	B8	SBU2
A6	DP1	B7	DN2
A7	DN1	B6	DP2
A8	SBU1	B5	CC2
A9	VBUS	B4	VBUS
A12	GND	B1	GND
PIN	SIGNAL NAME	PIN	SIGNAL NAME



RECOMMENDED P.C.B. LAYOUT  
 TOLERANCE UNSPECIFIED ±0.05mm

PART NO. INFORMATION



**Bestcreate Technology Limited**

TOLERANCES UNLESS OTHERWISE SPECIFIED:			
.X	± 0.35	X.*	± 5'
.XX	± 0.25	.X.*	± 2'
.XXX	± 0.15	.XX.*	± 1'
Website: <a href="http://www.bsc-elec.com">www.bsc-elec.com</a>			
Email: <a href="mailto:bestcreate@bsc-elec.com">bestcreate@bsc-elec.com</a>			

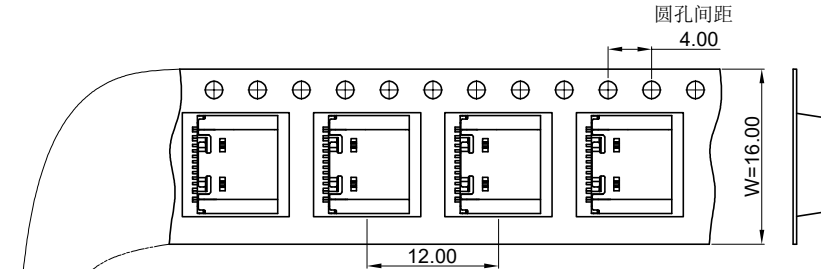
DESIGN:	I. L	DATE:	
CHECKED:	C. W	DATE:	
APPROVED:	C. W	DATE:	

TITLE: TOP MOUNT 16P USB C FEMALE CONNECTOR SMT TYPE,L=7.35MM		
MATERILA:	PART NO: U06-CFXX5R-094	SIZE: A4
FINSH:	DWG NO: U06-CFXX5R-094	1 OF 2

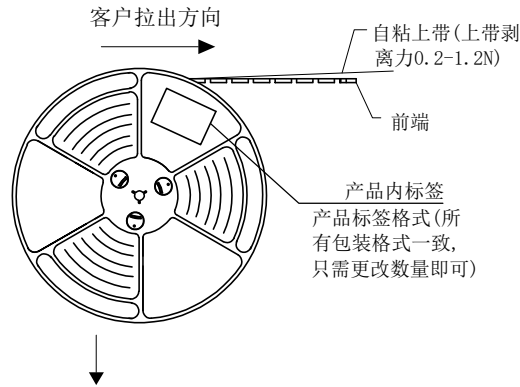
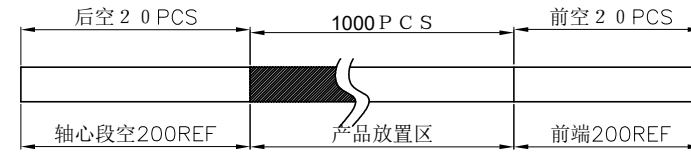
REV: A	UNIT mm	SCALE 1=1	QUALITY SYMBOLS
-----------	------------	--------------	-----------------

RoHS Compliant

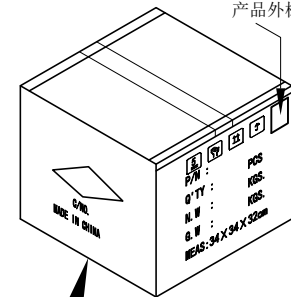
REVISIONS			
REV.	DESCRIPTION	DATE	DESIGN



包装示意图:



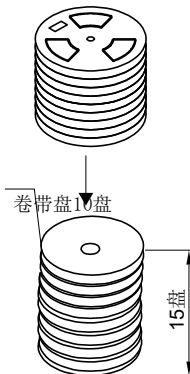
产品内标签  
产品标签格式(所有包装格式一致,只需更改数量即可)



产品外标签

备注

- 把上下载带送入载带机进行调整,然后将产品按照指定的方式摆入下载带中,开动卷带机进行卷装(每卷包1000PCS),卷装完成后需用上带缠绕最少20CM;
- 在卷装OK的每卷盘面的指定位置上贴物料和RoHS标签装入纸箱内;每箱装10盘
- 纸箱用封箱带将其封好,胶带要求工字型,不可遮住标签;
- 如果客户对包装标签另有要求,请按客户要求作业;有未满之零数箱需用缓冲材料填充;
- 上载带剥离力0.2-1.2N;



卷带盘10盘

15盘

将15盘产品放入纸箱内

纸箱规格:  
34.0X34.0X32CM

**Bestcreate Technology Limited**

TOLERANCES UNLESS OTHERWISE SPECIFIED:

.X	± 0.35	X.*	± 5°
.XX	± 0.25	.X.*	± 2°
.XXX	± 0.15	.XX.*	± 1°

Website: [www.bsc-elec.com](http://www.bsc-elec.com)

Email: [bestcreate@bsc-elec.com](mailto:bestcreate@bsc-elec.com)

DESIGN: I. L      DATE:

CHECKED: C. W      DATE:

APPROVED: C. W      DATE:

TITLE: TOP MOUNT 16P USB C FEMALE CONNECTOR SMT TYPE, L=7.35MM

MATERIAL:      PART NO: U06-CFXX5R-094      SIZE: A4

FINISH:      DWG NO: U06-CFXX5R-094      2 OF 2

REV: A      UNIT: mm      SCALE: 1=1      QUALITY SYMBOLS