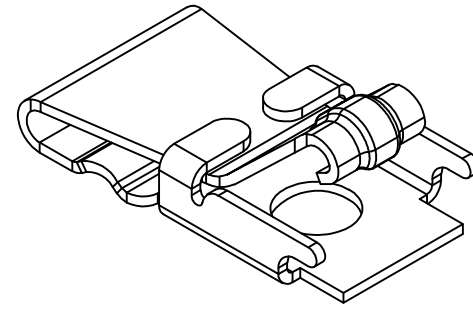
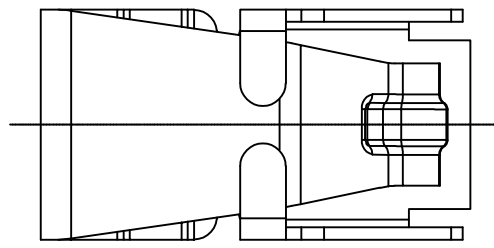
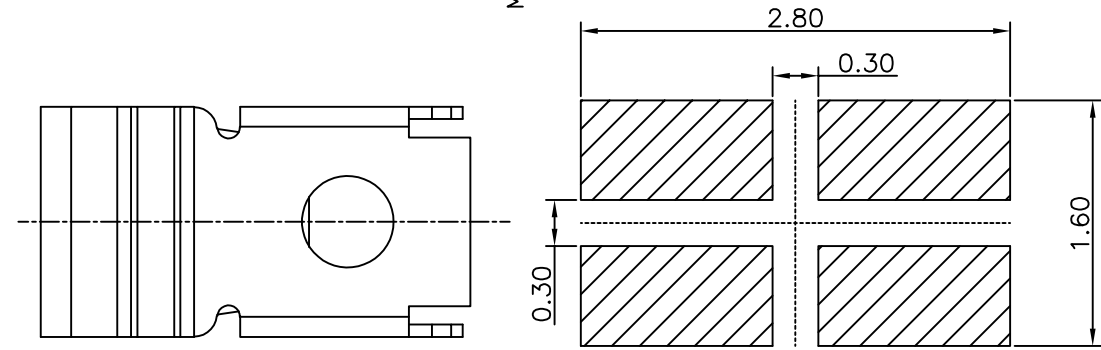
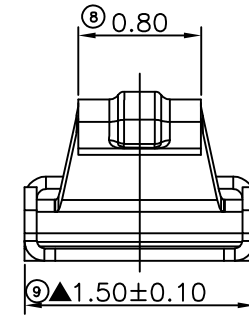
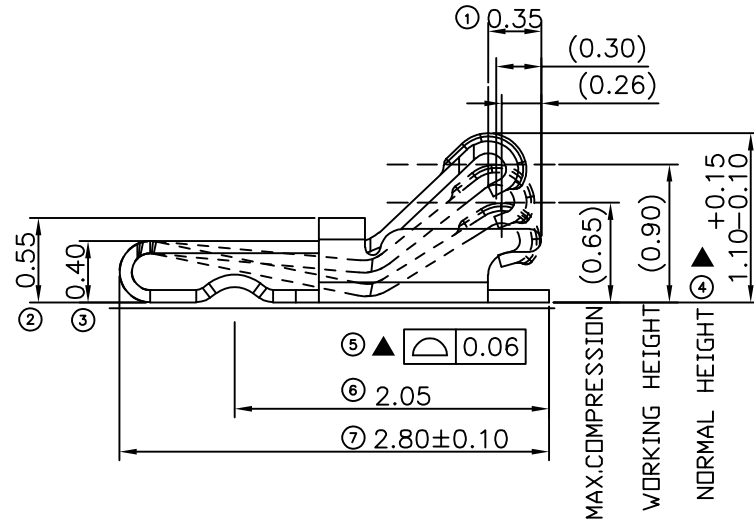


RoHS Compliant

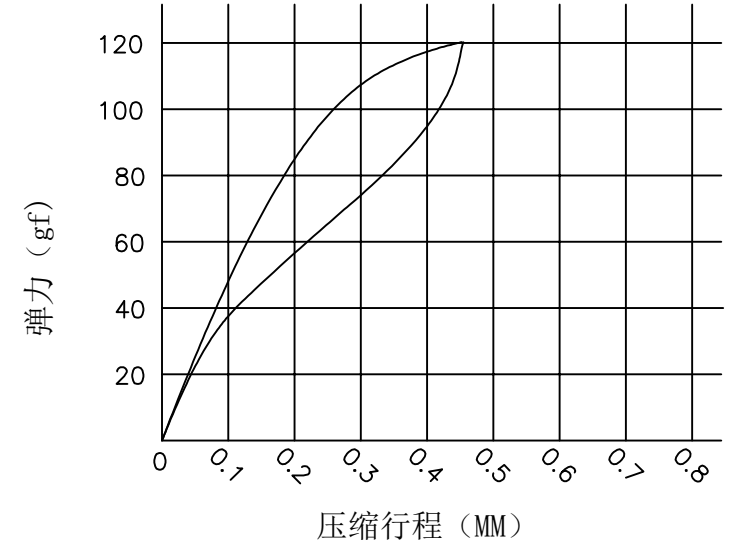
REVISIONS			
REV.	DESCRIPTION	DATE	DESIGN



- MATERIAL SPECIFICATION:
 - 1.1. STAINLESS STEEL SUS-304 T=0.10±0.005MM
- TEST REQUIREMENTS:
 - 2.1. CONTACT RESISTANCE: 80mΩ MAX
 - 2.2. VOLTAGE RATING: 1.5 V/AC/DC/MAX
 - 2.3. RATED CURRENT: 1.0A/MAX
 - 2.4. WELDING THRUST: ≥3.0 Kg
 - 2.5. DURABILITY: 1,500 TIMES
 - 2.6. OPERATING TEMPERATURE: -20 ° ~ 80 ° C
- PLATING REQUIREMENTS:
 - 3.1. OVERALL NICKEL PLATING 50U MIN, WELDING SURFACE 1U MIN GOLD PLATING, CONTACT AREA 1U MIN GOLD PLATING
 - 3.2. SALT SPRAY TEST TO MEET THE REQUIREMENTS OF 24 HOURS.
 - 3.3. TERMINAL TO EAT FULL TIN, NOT PEELING, WELDING, OBVIOUS COLOR AND OTHER ADVERSE
 - 3.4. ROHS, REACH, HF HALOGEN-FREE AND A SERIES OF DOMESTIC AND INTERNATIONAL ENVIRONMENTAL REQUIREMENTS



P.C.B LAYOUT
 TOLERANCE: ±0.05



Bestcreate Technology Limited

TOLERANCES UNLESS OTHERWISE SPECIFIED:			
X.	± 0.25	X.*	± 3'
.X	± 0.20	.X'	± 2'
.XX	± 0.15	.XX'	± 1'

Website: www.bsc-elec.com
 Email: bestcreate@bsc-elec.com

DESIGN:	DATE:
I. L	2017. 3. 1
CHECKED:	DATE:
C. W	2017. 3. 1
APPROVED:	DATE:
C. W	2017. 3. 1

TITLE: Antenna Shrapnel Connector 2.80*1.50*1.10H(A TYPE)		
MATERIAL:	PART NO:	SIZE:
FINISH:	AS-R5-098-0011A	A4
	DWG NO:	
	AS-R5-098-0011A	

REV: A	UNIT mm	SCALE 1=1	QUALITY SYMBOLS
--------	---------	-----------	-----------------