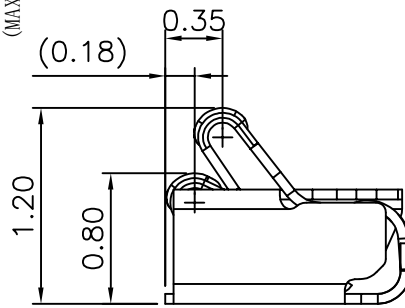
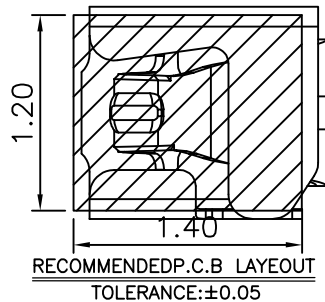
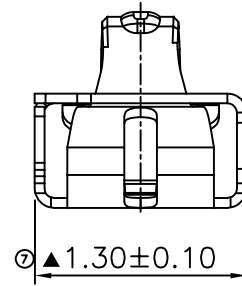
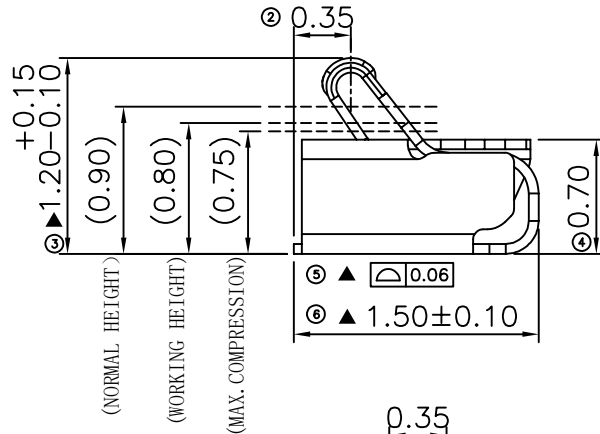
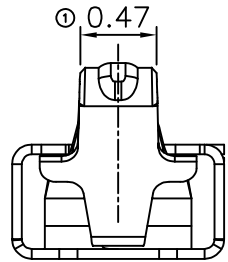
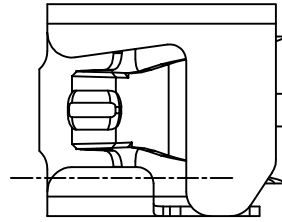
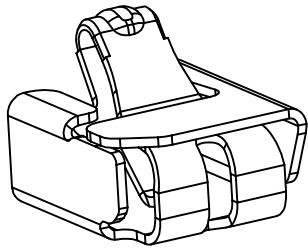


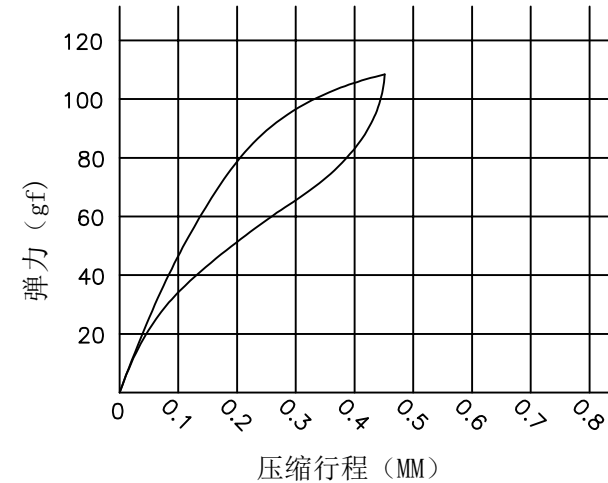
RoHS Compliant

REVISIONS			
REV.	DESCRIPTION	DATE	DESIGN



State at working height 0.80mm

- MATERIAL SPECIFICATION:
 - 1.1.STAINLESS STEEL SUS-301 T=0.06±0.005MM
- TEST REQUIREMENTS:
 - 2.1.CONTACT RESISTANCE: 80mΩ MAX
 - 2.2.VOLTAGE RATING: 1.5 V/AC/DC/MAX
 - 2.3.RATED CURRENT: 1.0A/MAX
 - 2.4.WELDING THRUST: ≥3.0 Kg
 - 2.5.DURABILITY: 1,500 TIMES
 - 2.6.OPERATING TEMPERATURE: -20 ° ~ 80 ° C
- PLATING REQUIREMENTS:
 - 3.1.OVERALL NICKEL PLATING 50U MIN, WELDING SURFACE 1U MIN GOLD PLATING, CONTACT AREA 1U MIN GOLD PLATING
 - 3.2.SALT SPRAY TEST TO MEET THE REQUIREMENTS OF 24 HOURS.
 - 3.3.TERMINAL TO EAT FULL TIN, NOT PEELING, WELDING, OBVIOUS COLOR AND OTHER ADVERSE
 - 3.4.ROHS, REACH, HF HALOGEN-FREE AND A SERIES OF DOMESTIC AND INTERNATIONAL ENVIRONMENTAL REQUIREMENTS



Bestcreate Technology Limited

TOLERANCES UNLESS OTHERWISE SPECIFIED:

X.	± 0.25	X.*	± 3'
.X	± 0.20	.X'	± 2'
.XX	± 0.15	.XX'	± 1'

Website: www.bsc-elec.com
Email: bestcreate@bsc-elec.com

DESIGN: I.L
DATE: 2017.3.1

CHECKED: C.W
DATE: 2017.3.1

APPROVED: C.W
DATE: 2017.3.1

TITLE: Antenna Shrapnel Connector
1.50*1.30*1.20H(M TYPE)

MATERIAL: AS-R5-098-0012M
PART NO: AS-R5-098-0012M
SIZE: A4

FINISH: AS-R5-098-0012M
DWG NO: AS-R5-098-0012M

REV: A
UNIT: mm
SCALE: 1=1
QUALITY SYMBOLS: [Symbol]