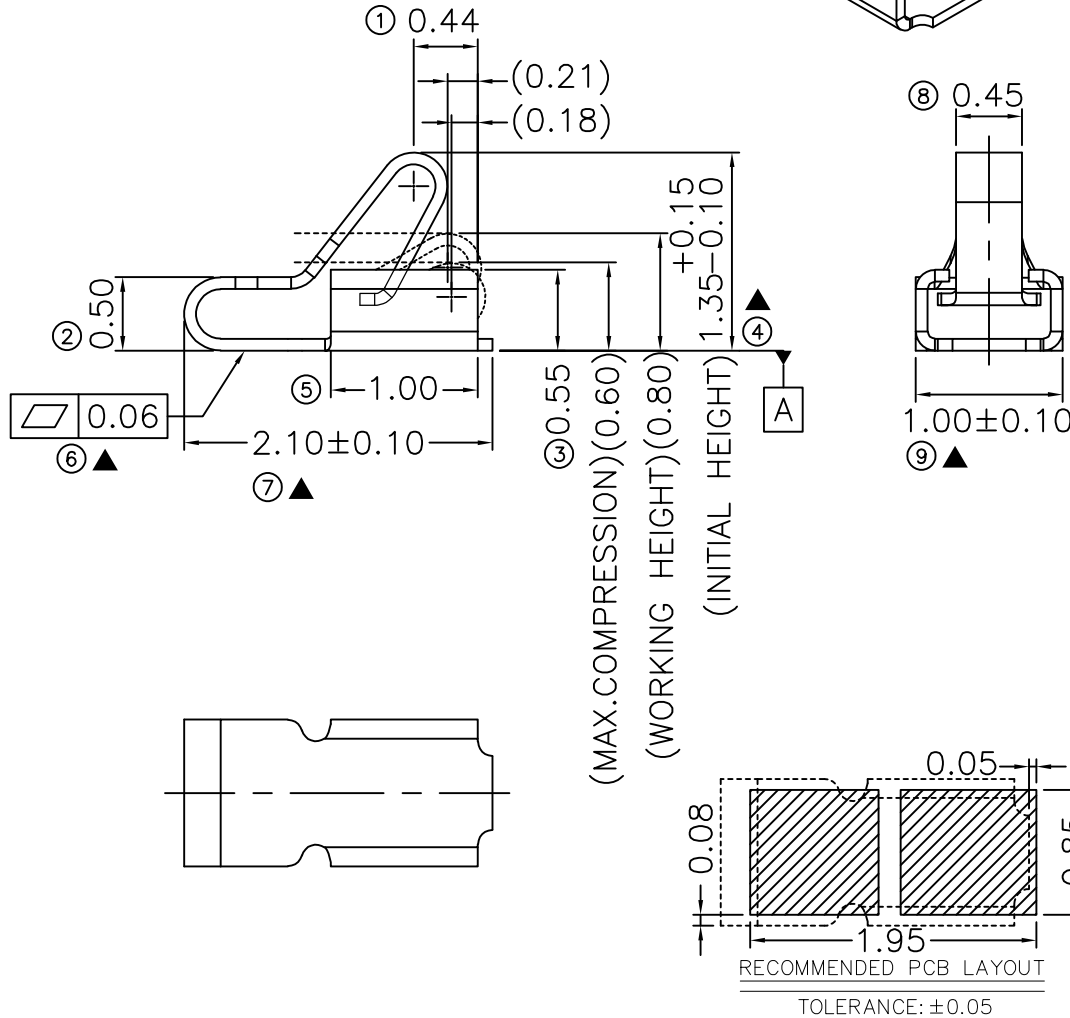
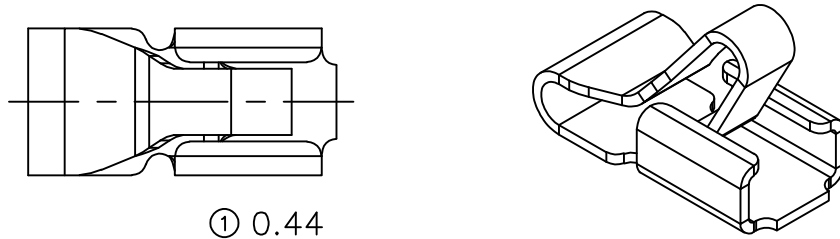
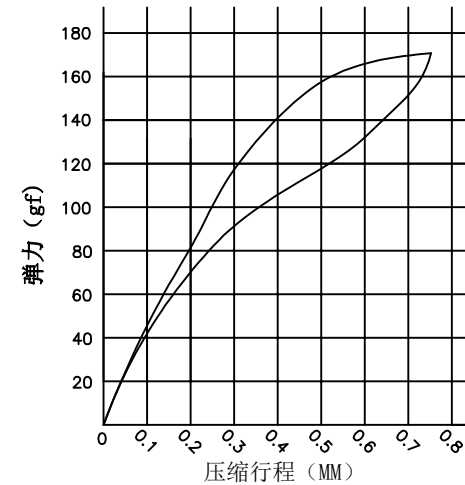


RoHS Compliant

REVISIONS			
REV.	DESCRIPTION	DATE	DESIGN



- MATERIAL SPECIFICATION:
 - 1.1. STAINLESS STEEL SUS-301 T=0.08±0.005MM
- TEST REQUIREMENTS:
 - 2.1. CONTACT RESISTANCE: 80mΩ max
 - 2.2. VOLTAGE RATING: 1.5 V/AC/DC/MAX
 - 2.3. RATED CURRENT: 1.0 A/MAX
 - 2.4. WELDING THRUST: ≥3.0KG
 - 2.5. Durability: 1,500 TIMES
 - 2.6. OPERATING TEMPERATURE: -20°~ 80°C
- PLATING REQUIREMENTS:
 - 3.1. OVERALL NICKEL PLATING 50U MIN, WELDING SURFACE 1U MIN GOLD PLATING, CONTACT AREA 1U MIN GOLD PLATING
 - 3.2. SALT SPRAY TEST TO MEET THE REQUIREMENTS OF 24 HOURS
 - 3.3. TERMINAL EAT TIN FULL,NOT MOLT,WELDING,OBVIOUS COLOR AND OTHER ADVERSE
 - 3.4. ROHS, REACH, HF HALOGEN-FREE AND A SERIES OF DOMESTIC AND INTERNATIONAL ENVIRONMENTAL REQUIREMENTS



Bestcreate Technology Limited

TOLERANCES UNLESS OTHERWISE SPECIFIED:

X.	±	0.25	X.*	±	3'
.X	±	0.20	.X'	±	2'
.XX	±	0.15	.XX'	±	1'

Website: www.bsc-elec.com
 Email: bestcreate@bsc-elec.com

DESIGN: I.L DATE: 2017. 3. 1

CHECKED: C.W DATE: 2017. 3. 1

APPROVED: C.W DATE: 2017. 3. 1

TITLE: Antenna Shrapnel Connector
 2.10*1.00*1.35H(B TYPE)

MATERIAL: PART NO: AS-R5-098-0013B SIZE: A4

FINISH: DWG NO: AS-R5-098-0013B

REV: A UNIT mm SCALE 1=1 QUALITY SYMBOLS