

RoHS Compliant

REVISIONS			
REV.	DESCRIPTION	DATE	DESIGN

A

B

C

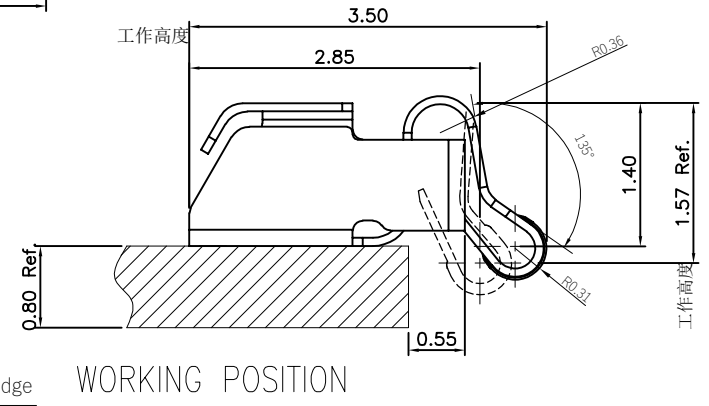
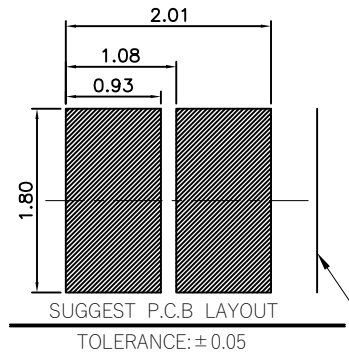
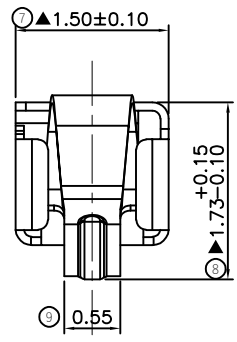
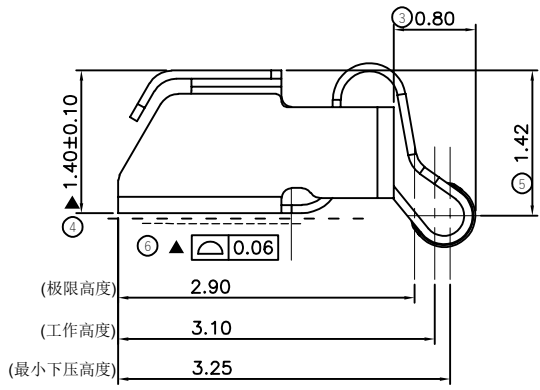
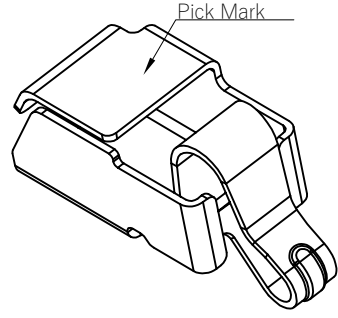
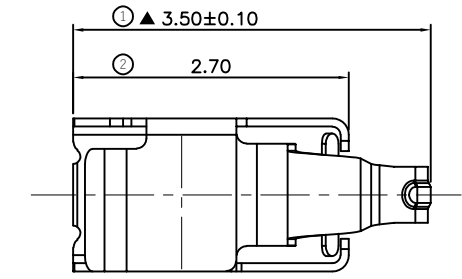
D

A

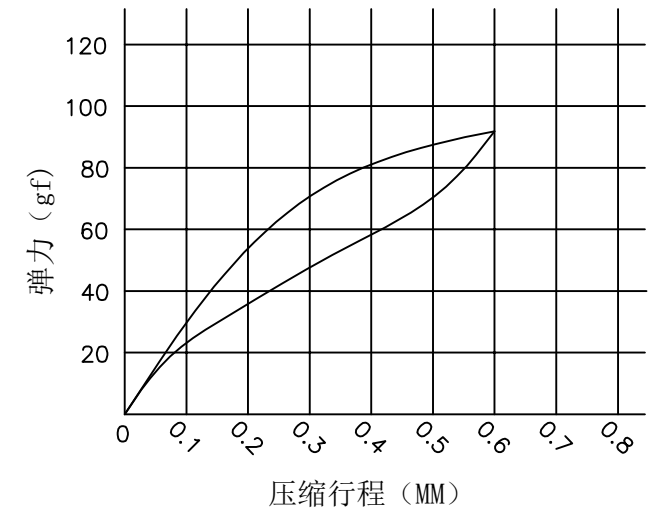
B

C

D



- 1.MATERIAL SPECIFICATION:  
 1.1.STAINLESS STEEL SUS-301 T=0.08±0.005MM  
 2.TEST REQUIREMENTS:  
 2.1.CONTACT RESISTANCE: 80mΩ MAX  
 2.2.VOLTAGE RATING: 1.5 V/AC/DC/MAX  
 2.3.RATED CURRENT: 1.0A/MAX  
 2.4.CONTACT ELASTICITY: ≥45g  
 2.5.WELDING THRUST: ≥3.0 Kg  
 2.6.DURABILITY: 1,500 TIMES  
 2.7.OPERATING TEMPERATURE: -20 ° ~ 80 ° C  
 3.PLATING REQUIREMENTS:  
 3.1.OVERALL NICKEL PLATING 50U MIN, WELDING SURFACE 1U MIN GOLD PLATING, CONTACT AREA 1U MIN GOLD PLATING  
 3.2.SALT SPRAY TEST TO MEET THE REQUIREMENTS OF 24 HOURS.  
 3.3.TERMINAL TO EAT FULL TIN, NOT PEELING, WELDING, OBVIOUS COLOR AND OTHER ADVERSE  
 3.4.ROHS, REACH, HF HALOGEN-FREE AND A SERIES OF DOMESTIC AND INTERNATIONAL ENVIRONMENTAL REQUIREMENTS



**Bestcreate Technology Limited**

TOLERANCES UNLESS OTHERWISE SPECIFIED:			
X.	± 0.25	X.*	± 3'
.X	± 0.20	.X*	± 2'
.XX	± 0.15	.XX*	± 1'

Website: www.bsc-elec.com  
 Email: bestcreate@bsc-elec.com

DESIGN:	DATE:
I. L	2017. 3. 1
CHECKED:	DATE:
C. W	2017. 3. 1
APPROVED:	DATE:
C. W	2017. 3. 1

TITLE: Antenna Shrapnel Connector 3.50*1.50*1.40H(E TYPE)		
MATERIAL:	PART NO:	SIZE:
	AS-R5-098-0014E	A4
FINISH:	DWG NO:	
	AS-R5-098-0014E	

REV: A	UNIT: mm	SCALE: 1=1	QUALITY SYMBOLS:
--------	----------	------------	------------------