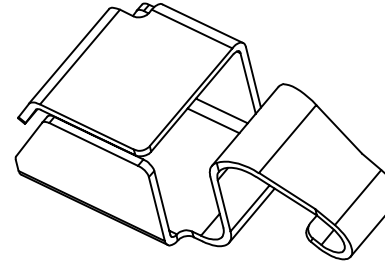
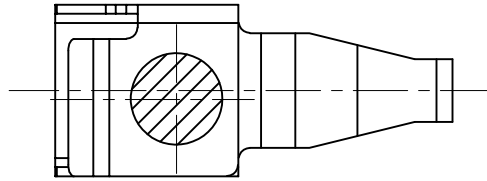
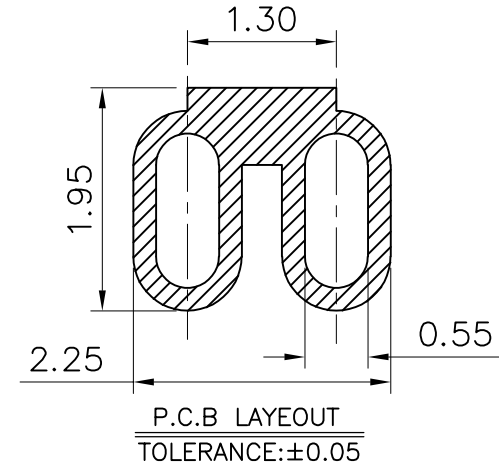
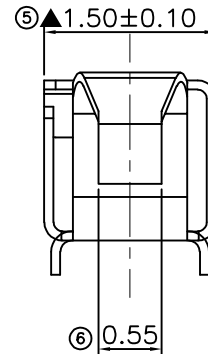
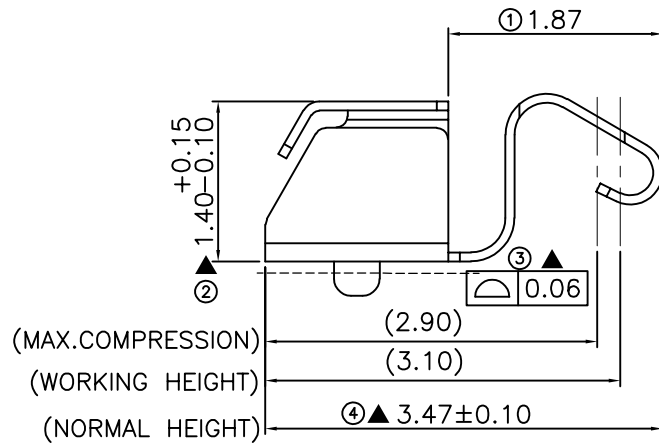


RoHS Compliant

REVISIONS			
REV.	DESCRIPTION	DATE	DESIGN



1. MATERIAL SPECIFICATION:
 - 1.1. STAINLESS STEEL SUS-304 T=0.08±0.005MM
2. TEST REQUIREMENTS:
 - 2.1. CONTACT RESISTANCE: 80mΩ MAX
 - 2.2. VOLTAGE RATING: 1.5 V/AC/DC/MAX
 - 2.3. RATED CURRENT: 0.5A/MAX
 - 2.4. CONTACT ELASTICITY: ≥45g
 - 2.5. WELDING THRUST: ≥3.0 Kg
 - 2.6. DURABILITY: 1,500 TIMES
 - 2.7. OPERATING TEMPERATURE: -45 ° ~ 85 ° C
3. PLATING REQUIREMENTS:
 - 3.1. OVERALL NICKEL PLATING 50U MIN, WELDING SURFACE 1U MIN GOLD PLATING, CONTACT AREA 1U MIN GOLD PLATING
 - 3.2. SALT SPRAY TEST TO MEET THE REQUIREMENTS OF 24 HOURS.
 - 3.3. TERMINAL TO EAT FULL TIN, NOT PEELING, WELDING, OBVIOUS COLOR AND OTHER ADVERSE
 - 3.4. ROHS, REACH, HF HALOGEN-FREE AND A SERIES OF DOMESTIC AND INTERNATIONAL ENVIRONMENTAL REQUIREMENTS



Bestcreate Technology Limited

TOLERANCES UNLESS OTHERWISE SPECIFIED:

X.	±	0.25	X.*	±	3'
.X	±	0.20	.X'	±	2'
.XX	±	0.15	.XX'	±	1'

DESIGN: DATE:

I. L 2017. 3. 1

CHECKED: DATE:

C. W 2017. 3. 1

APPROVED: DATE:

C. W 2017. 3. 1

TITLE: 1.4H Side pressure spring

MATERIAL: PART NO: AS-R5-098-0014L SIZE: A4

FINISH: DWG NO: AS-R5-098-0014L

REV: A	UNIT mm	SCALE 1=1	QUALITY SYMBOLS
--------	---------	-----------	-----------------