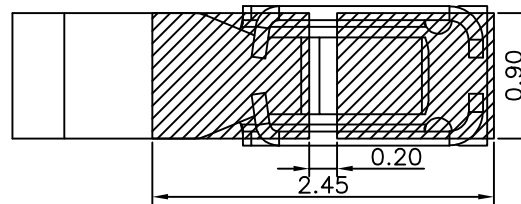
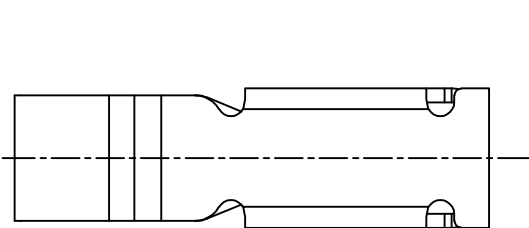
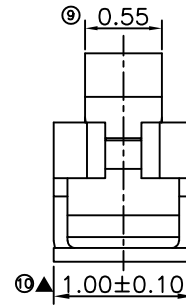
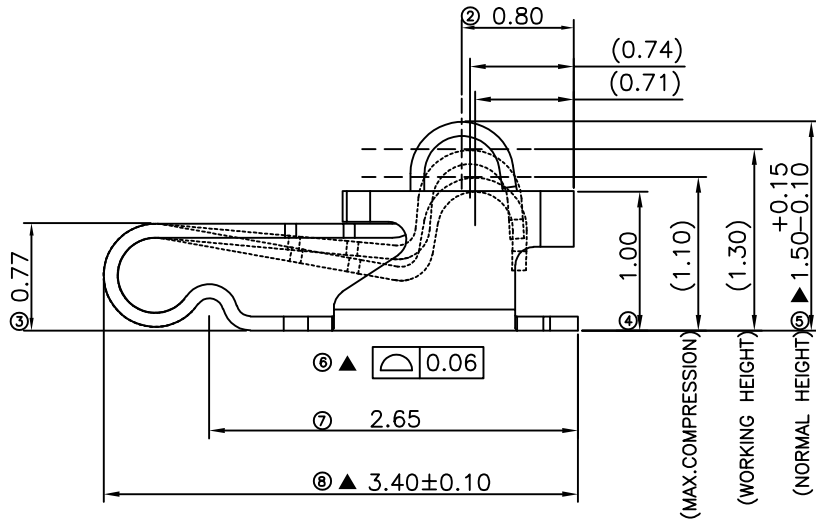
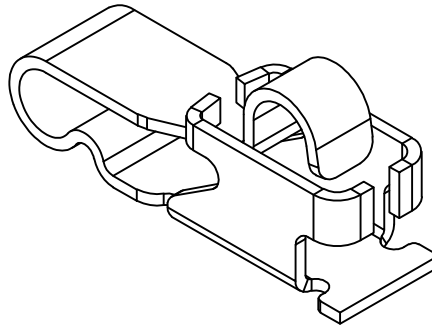
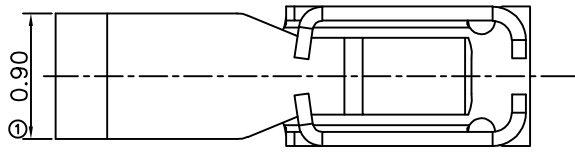


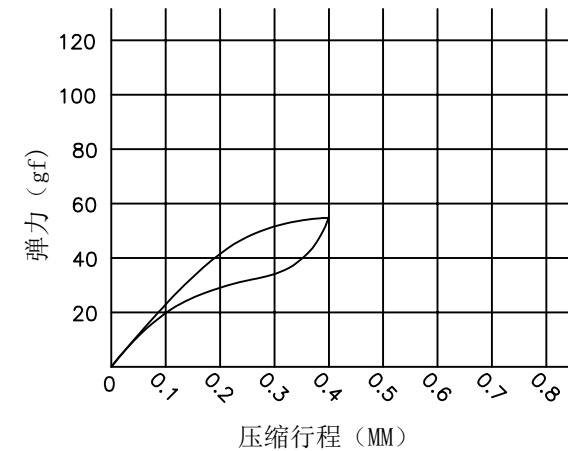
RoHS Compliant

REVISIONS			
REV.	DESCRIPTION	DATE	DESIGN



P.C.B LAYOUT
TOLERANCE:±0.05

- 1.MATERIAL SPECIFICATION:
 - 1.1.STAINLESS STEEL SUS-304 T=0.10±0.005MM
- 2.TEST REQUIREMENTS:
 - 2.1.CONTACT RESISTANCE: 80mΩ MAX
 - 2.2.VOLTAGE RATING: 1.5 V/AC/DC/MAX
 - 2.3.RATED CURRENT: 1.0A/MAX
 - 2.4.WELDING THRUST: ≥3.0 Kg
 - 2.5.DURABILITY: 1,500 TIMES
 - 2.6.OPERATING TEMPERATURE: -20 ° ~ 80 ° C
- 3.PLATING REQUIREMENTS:
 - 3.1.OVERALL NICKEL PLATING 50U MIN, WELDING SURFACE 1U MIN GOLD PLATING, CONTACT AREA 1U MIN GOLD PLATING
 - 3.2.SALT SPRAY TEST TO MEET THE REQUIREMENTS OF 24 HOURS.
 - 3.3.TERMINAL TO EAT FULL TIN, NOT PEELING, WELDING, OBVIOUS COLOR AND OTHER ADVERSE
 - 3.4.ROHS, REACH, HF HALOGEN-FREE AND A SERIES OF DOMESTIC AND INTERNATIONAL ENVIRONMENTAL REQUIREMENTS



Bestcreate Technology Limited

TOLERANCES UNLESS OTHERWISE SPECIFIED:

X.	± 0.25	X.*	± 3'
.X	± 0.20	.X'	± 2'
.XX	± 0.15	.XX'	± 1'

Website:www.bsc-elec.com
Email:bestcreate@bsc-elec.com

DESIGN: I.L DATE: 2017.3.1

CHECKED: C.W DATE: 2017.3.1

APPROVED: C.W DATE: 2017.3.1

TITLE: Antenna Shrapnel Connector
3.40*1.00*1.50H(B TYPE)

MATERIAL: PART NO: AS-R5-098-0015B SIZE: A4

FINISH: DWG NO: AS-R5-098-0015B

REV: A UNIT mm SCALE 1=1 QUALITY SYMBOLS