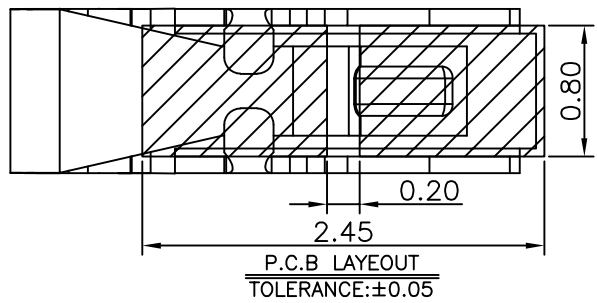
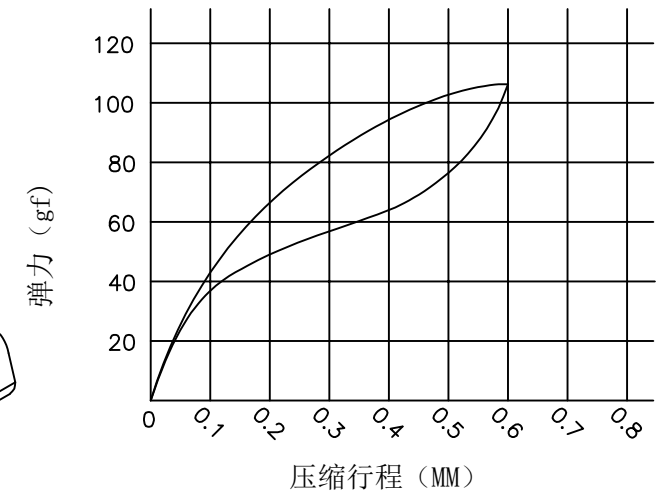
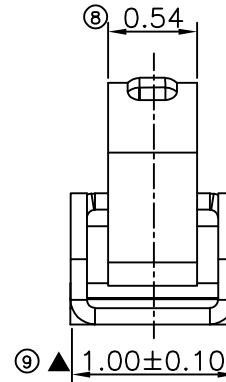
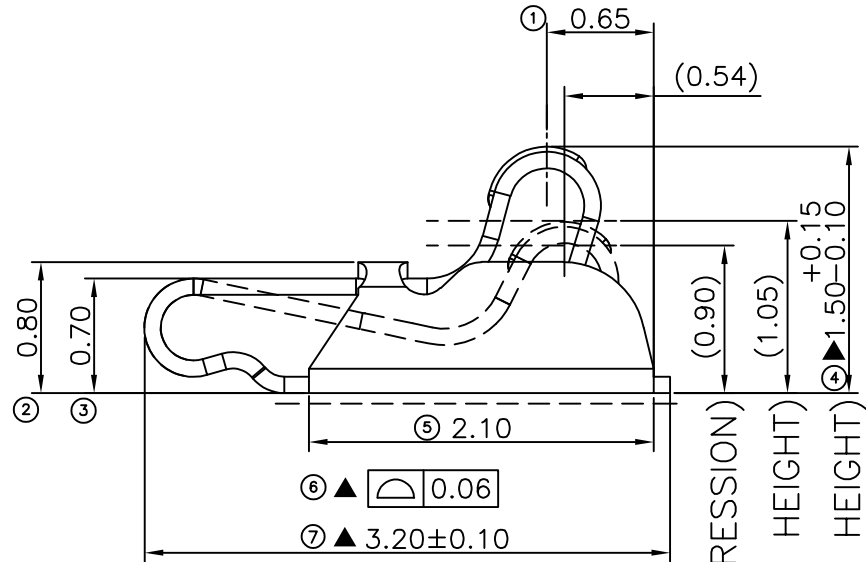


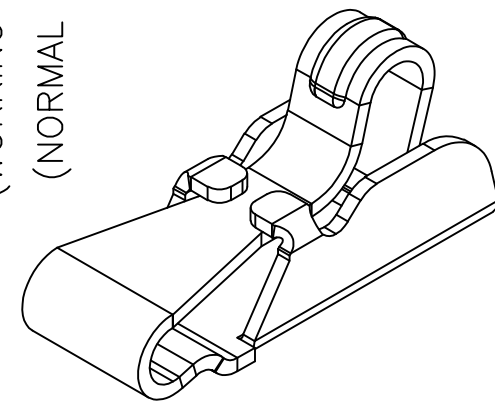
RoHS Compliant

REVISIONS			
REV.	DESCRIPTION	DATE	DESIGN

- MATERIAL SPECIFICATION:
  - C5210 T=0.10\*±0.005MM
- TEST REQUIREMENTS:
  - CONTACT RESISTANCE: 80mΩ MAX
  - VOLTAGE RATING: 1.5 V/AC/DC/MAX
  - RATED CURRENT: 1.0A/MAX
  - WELDING THRUST: ≥3.0 Kg
  - DURABILITY: 1,500 TIMES
  - OPERATING TEMPERATURE: -20 ° ~ 80 ° C
- PLATING REQUIREMENTS:
  - OVERALL NICKEL PLATING 50U MIN, WELDING SURFACE 1U MIN GOLD PLATING, CONTACT AREA 3U MIN GOLD PLATING
  - SALT SPRAY TEST TO MEET THE REQUIREMENTS OF 24 HOURS.
  - TERMINAL TO EAT FULL TIN, NOT PEELING, WELDING, OBVIOUS COLOR AND OTHER ADVERSE
  - ROHS, REACH, HF HALOGEN-FREE AND A SERIES OF DOMESTIC AND INTERNATIONAL ENVIRONMENTAL REQUIREMENTS



(MAX.COMPRESSION)  
(WORKING HEIGHT)  
(NORMAL HEIGHT)



**Bestcreate Technology Limited**

TOLERANCES UNLESS OTHERWISE SPECIFIED:			
X.	±	0.25	X.* ± 3'
.X	±	0.20	.X' ± 2'
.XX	±	0.15	.XX' ± 1'

Website:www.bsc-elec.com  
Email:bestcreate@bsc-elec.com

DESIGN:	DATE:
I.L	2017. 3. 1
CHECKED:	DATE:
C.W	2017. 3. 1
APPROVED:	DATE:
C.W	2017. 3. 1

TITLE: Antenna Shrapnel Connector 3.20*1.00*1.50(G TYPE)		
MATERILA:	PART NO: AS-R5-098-0015G	SIZE: A4
FINSH:	DWG NO: AS-R5-098-0015G	

REV: A	UNIT mm	SCALE 1=1	QUALITY SYMBOLS
--------	---------	-----------	-----------------