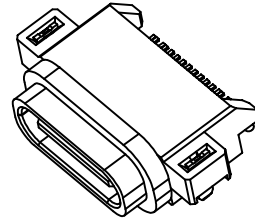
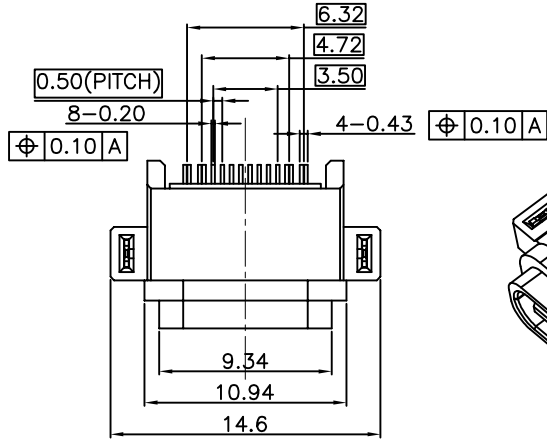


RoHS Compliant

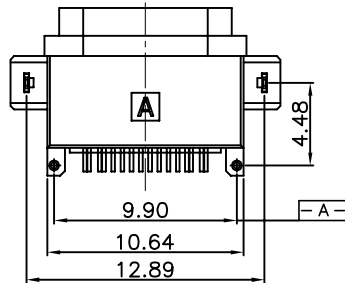
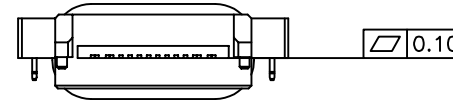
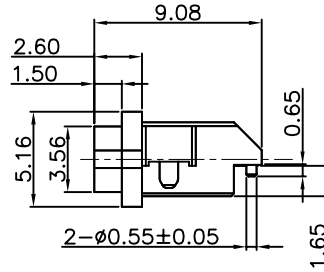
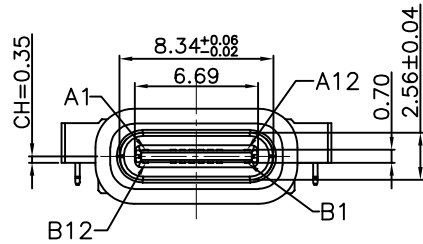
REVISIONS			
REV.	DESCRIPTION	DATE	DESIGN



结构设计注意
成品使用时，如有洗面奶泡沫、牙膏、洗手液、脏污液体，请在TYPE-C口外面再设计一层外壳，保护TYPE-C母座与公头连接的金手指不会被脏污覆盖。

NOTES:
SPECIFICATION:

- CURRENT RATING: 3.0A MAX
- DIELECTRIC WITHSTAND VOLTAGE: 100VAC
- TEMPERATURE RANGE: -30 °C ~ 85 °C
- CONTACT RESISTANCE: 40 MILLIONHM MAX
- INSULATION RESISTANCE: 100 MEGOHMS MIN.
- INSERTION FORCE : 5N~20N
- UNMATING FORCE: 8N~20N
- DURABILITY:10,000 CYCLES



PART NO. INFORMATION

U06-C F X X 5 R - W158

- PORT TYPE
C: TYPE C
- PACKAGE
R: TAPE REEL
- HOUSING COLOR
2: WHITE
5: BLACK
9: NATURE
- HOUSING MATERIAL
A: LCP B: PBT
C: PA9T D: PA6T
E: PA46 F: PA66
G: PA10T
- GENDER
F: FEMALE
M: MALE
- CONTACT PLATED
1: GOLD FLASH
2: GOLD 3U"
3: GOLD 5U"
4: GOLD 10U"
5: GOLD 15U"
6: GOLD 30U"

ITEM	PART NAME	Q'TY	FINISH	NOTE
3	Shell	1	PA10T (G.F30%)	
2	Contact	5	C7025 TM03 Au/Ni Plating T=0.15mm	
1	Housing	1	PA10T (G.F30%)	

Bestcreate Technology Limited

TOLERANCES UNLESS OTHERWISE SPECIFIED:

.X	± 0.50	.X'	± 2'
.XX	± 0.30	.X''	± 1'
.XXX	± 0.20	.X'''	± 0.5'

Website:www.bsc-elec.com
Email:bestcreate@bsc-elec.com

DESIGN: I. L
DATE: 2018. 7. 7

CHECKED: C. W
DATE: 2018. 7. 7

APPROVED: C. W
DATE: 2018. 7. 7

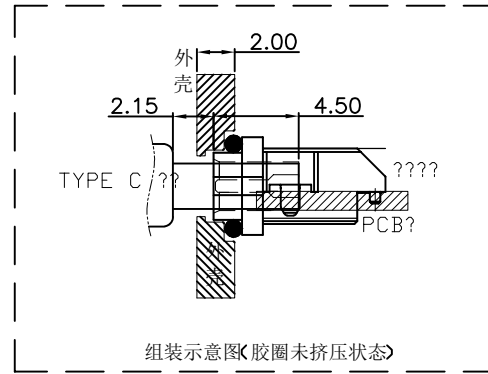
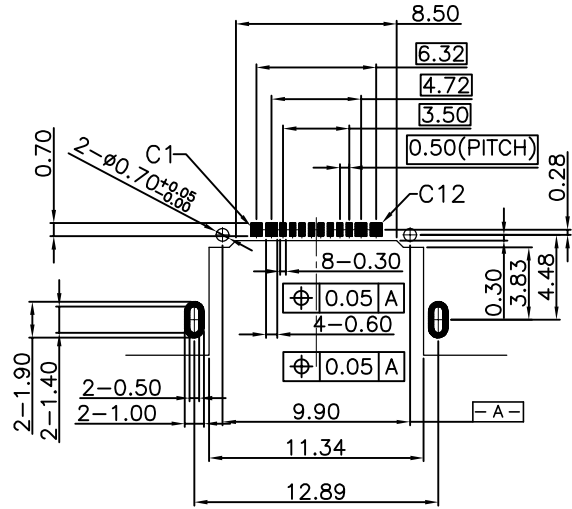
TITLE:
MID MOUNT IPX7 WATERPROOF USB TYPE C 2.0 16P FEMALE CONNECTOR SMT TYPE

MATERILA:	PART NO: U06-CFXX5R-W158	SIZE: A4
FINSH:	DWG NO: U06-CFXX5R-W158	1 OF 2

REV: A	UNIT mm	SCALE 1=1	QUALITY SYMBOLS
--------	---------	-----------	-----------------

RoHS Compliant

REVISIONS			
REV.	DESCRIPTION	DATE	DESIGN

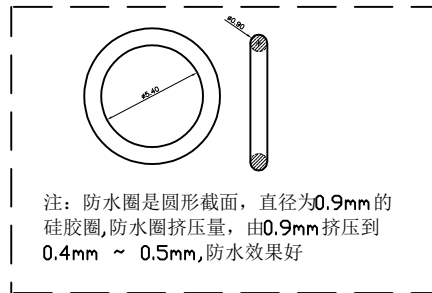


RECOMMENDED PCB LAYOUT(TOP VIEW)

THICKNESS T=1.0mm
DEFAULT TOLERANCE+/-0.05

INTERFACE(FRONT VIEW)

A1	A2	A3	A4	A5	A6	A7	A8	A9	A10	A11	A12
GND			VBUS	CC1	DP1	DN1	SBU1	VBUS			GND
GND			VBUS	SBU2	DN2	DP2	CC2	VBUS			GND
B12	B11	B10	B9	B8	B7	B6	B5	B4	B3	B2	B1



注：防水圈是圆形截面，直径为0.9mm的硅胶圈，防水圈挤压量，由0.9mm挤压到0.4mm ~ 0.5mm，防水效果好

PIN ASSIGNMENT

PIN NO.	A1&B12	A4&B9	B8	A5	B7	A6	A7	B6	A8	B5	A9&B4	A12&B1
SINGAL NAME	GND	VBUS	SBU2	CC1	DN2	DP1	DN1	DP2	SBU1	CC2	VBUS	GND
PCB PAD NO.	C1	C2	C3	C4	C5	C6	C7	C8	C9	C10	C11	C12

Bestcreate Technology Limited

TOLERANCES UNLESS OTHERWISE SPECIFIED:

.X	± 0.50	X.	± 2'
.XX	± 0.30	.X'	± 1'
.XXX	± 0.20	.XX'	± 0.5'

Website:www.bsc-elec.com

Email:bestcreate@bsc-elec.com

DESIGN: I. L
DATE: 2018. 7. 7

CHECKED: C. W
DATE: 2018. 7. 7

APPROVED: C. W
DATE: 2018. 7. 7

TITLE:
MID MOUNT IPX7 WATERPROOF USB TYPE C 2.0 16P FEMALE CONNECTOR SMT TYPE

MATERILA: PART NO: U06-CFXX5R-W158 SIZE: A4

FINSH: DWG NO: U06-CFXX5R-W158 2 OF 2

REV: A	UNIT mm	SCALE 1=1	QUALITY SYMBOLS
--------	---------	-----------	-----------------