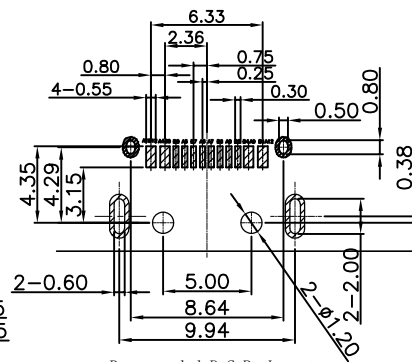
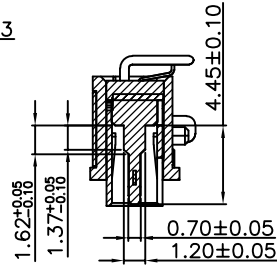
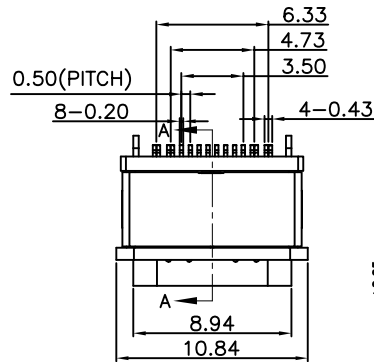


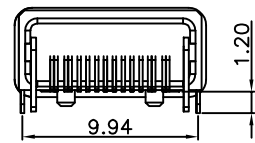
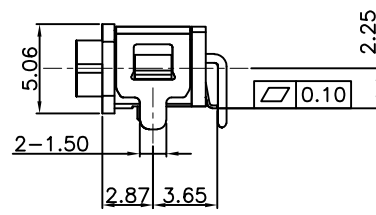
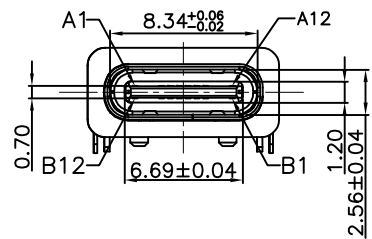
RoHS Compliant

REVISIONS			
REV.	DESCRIPTION	DATE	DESIGN

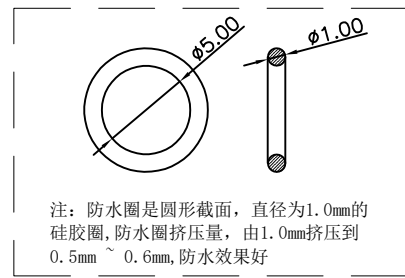
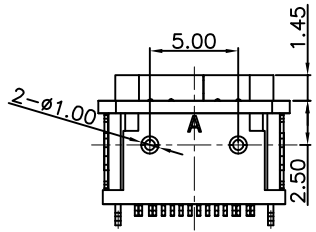
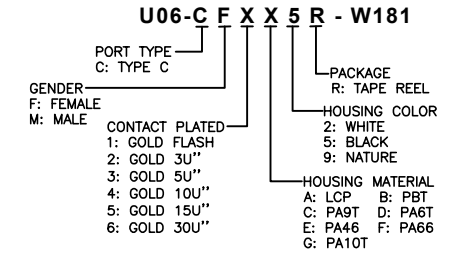


Recommended P.C.B. Layout  
Unspecified tolerance: ±0.05  
(Top view)  
PCB板设计需修改LAYOUT时, 请知会厂商修改制程检规

- NOTES:
- MATERIAL: SEE "TABLE 1";
  - FINISH: SEE "TABLE 1";
  - ELECTRICAL :
    - CONTACT CURRENT RATING :
      - 3A MAX FOR VBUS PIN ;
      - 1.25A MAX FOR GND PIN;
      - 0.25A MAX FOR OTHER PIN;
    - INSULATION RESISTANCE :
      - 100 MEGAOHMS MIN.
    - DIELECTRIC WITHSTANDING VOLTAGE :
      - 100V AC MAX
    - CONTACT RESISTANCE :40mΩ MAX.
  - MECHANICAL CHARACTERISTICS :
    - MATING FORCE: 5~20N;
    - UNMATING FORCE: 8~20N(INITIAL),6~20N(AFTER 10000 CYCLES);
    - DURABILITY : 10,000 MATING CYCLES.
    - OPERATING TEMPERATURE : -40°C TO +80°C
  - WATER PROOFNESS:THIS PRODUCT IS BASED ON IPX8.
  - PACKAGING: TAPE & REEL.



PART NO. INFORMATION



A1	GND	B12	GND
A4	VBUS	B9	VBUS
A5	CC1	B8	SBU2
A6	DP1	B7	DN2
A7	DN1	B6	DP2
A8	SBU1	B5	CC2
A9	VBUS	B4	VBUS
A12	GND	B1	GND
PIN	SIGNAL NAME	PIN	SIGNAL NAME

6	O RING	1	SILICON RUBBER	BLACK
5	Outer Shell	1	SUS301 Ni 40-80u"	T=0.20mm
4	Inner Shell	1	SUS304 Ni 40-80u"	T=0.30mm
3	Housing	1	PA10T(G.F30%)	BLACK
2	Contact	16	C7025 Ni:40-80u"; Au:3u"	T=0.15mm
1	Molding	1	PA10T (G.F30%)	BLACK
ITEM	PART NAME	Q' TY	FINISH	NOTE

**Bestcreate Technology Limited**

TOLERANCES UNLESS OTHERWISE SPECIFIED:

X.	± 0.30	X.*	± 2'
.XX	± 0.10	.X'	± 1'
.XXX	± 0.05	.XX'	± 0.5'

DESIGN: I. L DATE: 2018. 7. 7

CHECKED: C. W DATE: 2018. 7. 7

APPROVED: C. W DATE: 2018. 7. 7

TITLE: IPX7 16P WATERPROOF USB C FEMALE CONNECTOR SMT

MATERILA: FINSH: PART NO: U06-CFXX5R-W181 DWG NO: U06-CFXX5R-W181 SIZE: A4

1 OF 1

REV: A	UNIT mm	SCALE 1=1	QUALITY SYMBOLS
--------	---------	-----------	-----------------

Website:www.bsc-elec.com  
Email:bestcreate@bsc-elec.com