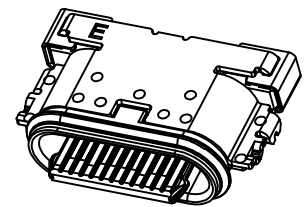
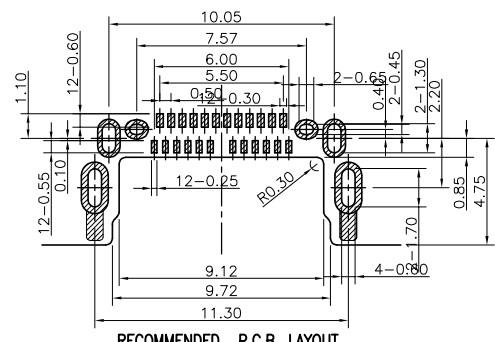
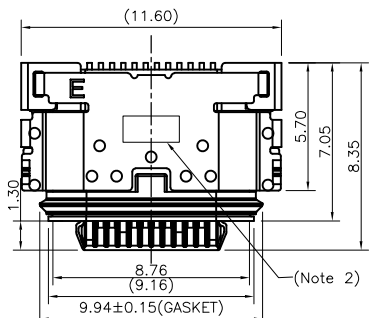
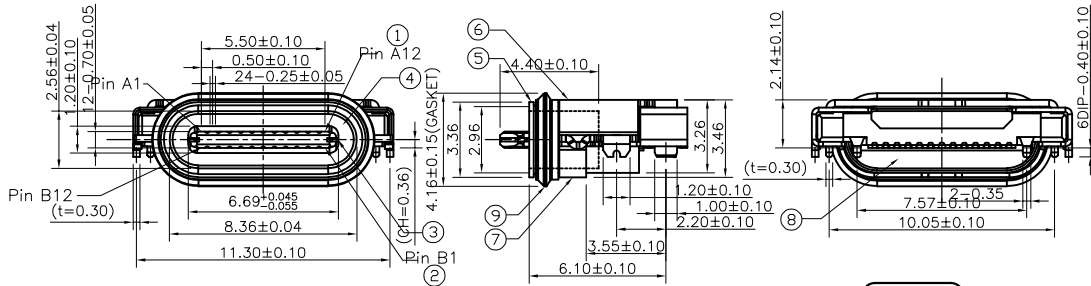


RoHS Compliant

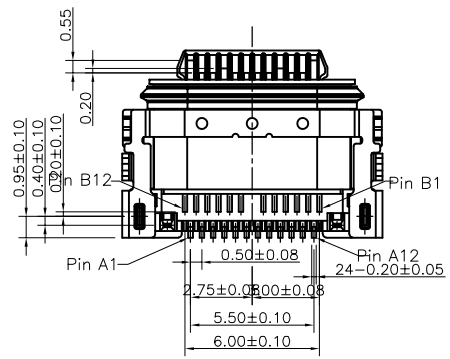
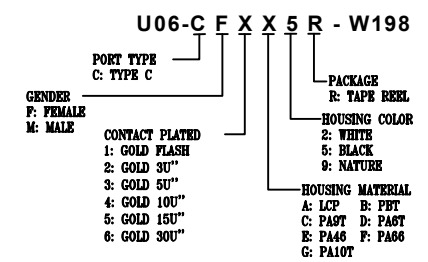
| REVISIONS |             |      |        |
|-----------|-------------|------|--------|
| REV.      | DESCRIPTION | DATE | DESIGN |
|           |             |      |        |



- NOTES:  
SPECIFICATION:
- CURRENT RATING: 5.0A MAX
  - TEMPERATURE RANGE: -30 °C ~ 85 °C
  - CONTACT RESISTANCE: 40 MILLIONHM MAX
  - INSULATION RESISTANCE: 100 MEGOHMS MIN.
  - DIELECTRIC WITHSTANDING VOLTAGE:100 VAC
  - INSERTION FORCE : 5N~20N
  - UNMATING FORCE: 8N~20N
  - DURABILITY: 10,000 CYCLES



PART NO. INFORMATION



| Pin | Name   | Pin | Name   |
|-----|--------|-----|--------|
| A1  | GND    | B12 | GND    |
| A2  | SSTXp1 | B11 | SSRXp1 |
| A3  | SSTXn1 | B10 | SSRXn1 |
| A4  | VBUS   | B9  | VBUS   |
| A5  | CC1    | B8  | SBU2   |
| A6  | Dp1    | B7  | Dn2    |
| A7  | Dn1    | B6  | Dp2    |
| A8  | SBU1   | B5  | CC2    |
| A9  | VBUS   | B4  | VBUS   |
| A10 | SSRXn2 | B3  | SSTXn2 |
| A11 | SSRXp2 | B2  | SSTXp2 |
| A12 | GND    | B1  | GND    |

| NO. | DESCRIPTION       | MATERIAL                 | REMARKS      | QTY  |
|-----|-------------------|--------------------------|--------------|------|
| 9   | GASKEL            | SILICONE                 | -            | 1PCS |
| 8   | POTTING           | SILICONE                 | -            | 1PCS |
| 7   | COVER SHELL-LOWER | STAINLESS STEEL          | Ni Plated    | 1PCS |
| 6   | COVER SHELL-UPPER | STAINLESS STEEL          | Ni Plated    | 1PCS |
| 5   | SHELL             | STAINLESS STEEL          | Ni Plated    | 1PCS |
| 4   | INSULATOR         | HIGH TEMPERATURE PLASTIC | BLACK        | 1PCS |
| 3   | MID PLATE         | STAINLESS STEEL          | Ni Plated    | 1PCS |
| 2   | CONTACT-B         | COPPER ALLOY             | Au/Ni Plated | 1SET |
| 1   | CONTACT-A         | COPPER ALLOY             | Au/Ni Plated | 1SET |

**Bestcreate Technology Limited**

TOLERANCES UNLESS OTHERWISE SPECIFIED:

|      |        |       |       |
|------|--------|-------|-------|
| .X   | ± 0.30 | .X'   | ± 10' |
| .XX  | ± 0.20 | .X''  | ± 8'  |
| .XXX | ± 0.10 | .X''' | ± 5'  |

DESIGN: I. L  
DATE: 2018. 7. 7  
CHECKED: C. W  
DATE: 2018. 7. 7  
APPROVED: C. W  
DATE: 2018. 7. 7

TITLE: IPX7 24P MID-MOUNT WATERPROOF USB C FEMALE CONNECTOR DUAL SMT 5A,CH=0.36MM  
MATERILA: PART NO: U06-CFXX5R-W198  
FINSH: DWG NO: U06-CFXX5R-W198  
SIZE: A4  
1 OF 2

REV: A UNIT mm SCALE 1=1 QUALITY SYMBOLS Website:www.bsc-elec.com Email:bestcreate@bsc-elec.com

