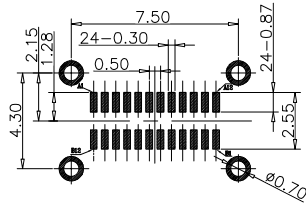
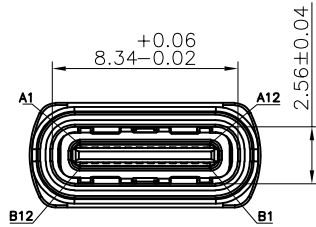
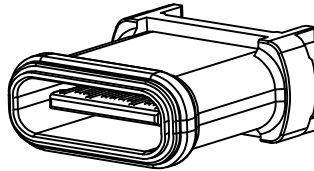


RoHS Compliant

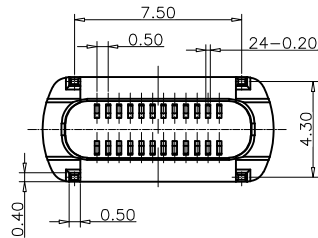
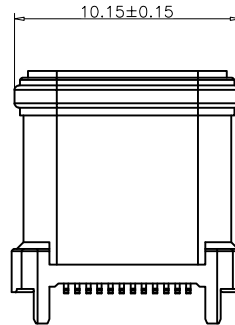
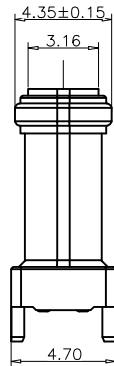
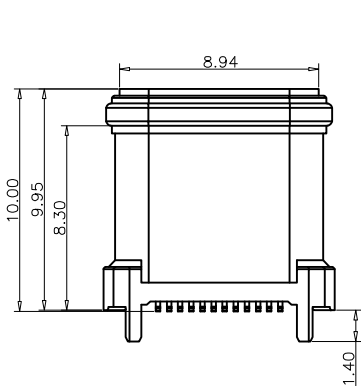


RECOMMENDED P.C.B. LAYOUT (T:1.00mm)
TOLERANCE UNSPECIFIED ±0.05mm



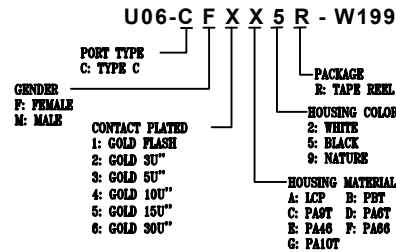
备注:

1. 材质:
 - 1.1 胶芯: LCP+30%G.F UL94V-0
 - 1.2 端子: 高导电C7025, T=0.15mm; 镍底50U" MIN, 接触区域镀金 (AU 1u") 焊接区镀金G/F
 - 1.3 外壳: SUS304, T=0.30mm; 表面镀镍50U" MIN
 - 1.4 中夹片: SUS301, T=0.15mm;
2. 主要特性:
- 2.1 额定电流: 5A
 - 2.2 接触阻抗: 40mΩ MAX (初始值)
50mΩ MAX (测试后)
 - 2.3 绝缘阻抗: 100MΩ MIN
 - 2.4 耐压测试: 100V AC R.M.S.
 - 2.6 整体插入力: 5-20N 整体插入力; 5-20N (耐久后)
整体拔出力: 8-20N 整体拔出力: 6-20N (耐久后)
 - 2.7 耐久: 10000次
 - 2.8 耐高温: SMT回流焊 (峰值260° ±5°), 塑胶不能有起泡, 融胶等不良, 变色, 翘曲变形在公差范围以内;
 - 2.9 产品须做焊锡测试, 粘锡面积达到95%以上;
 - 3.0 盐雾测试: 48H MIN
 - 3.1 工作温度: -30℃~+85℃



A1	GND	B12	GND
A2	SSTXp1	B11	SSRXp1
A3	SSTXn1	B10	SSRXn1
A4	VBUS	B9	VBUS
A5	CC1	B8	SBU2
A6	DP1	B7	DN2
A7	DN1	B6	DP2
A8	SBU1	B5	CC2
A9	VBUS	B4	VBUS
A10	SSRXn2	B3	SSTXn2
A11	SSRXp2	B2	SSTXp2
A12	GND	B1	GND
PIN	SIGNAL NAME	PIN	SIGNAL NAME

PART NO. INFORMATION



Bestcreate Technology Limited

TOLERANCES UNLESS OTHERWISE SPECIFIED:

X.	±	0.20	X."	±	10"
.X	±	0.15	.X"	±	8"
.XX	±	0.10	.XX"	±	5"

Website: www.bsc-elec.com
Email: bestcreate@bsc-elec.com

DESIGN: I. L DATE: 2026. 05. 09

CHECKED: C. W DATE: 2026. 05. 09

APPROVED: C. W DATE: 2026. 05. 09

TITLE: IP68 WATERPROOF 24P USB C FEMALE CONNECTOR SMT 180° H=10.0

MATERILA: PART NO: U06-CFXX5R-W199 SIZE: A4

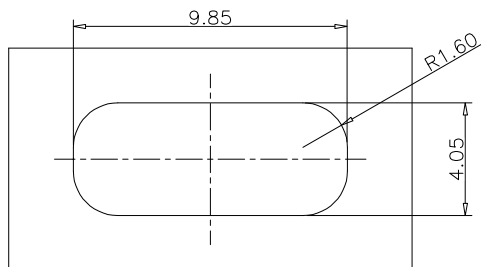
FINSH: DWG NO: U06-CFXX5R-W199 1 OF 2

REV: A UNIT mm SCALE 1=1 QUALITY SYMBOLS

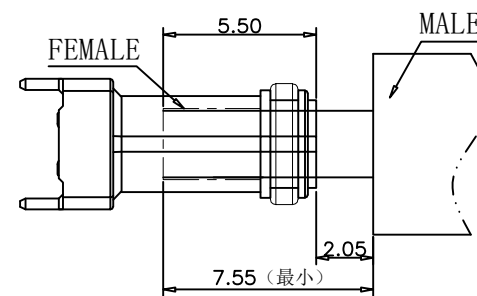
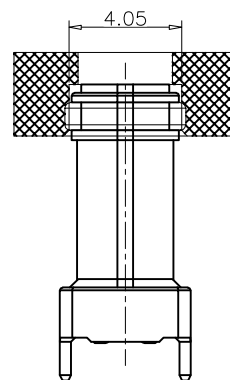
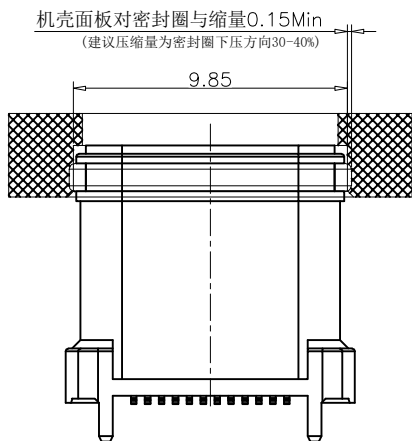
RoHS Compliant



REVISIONS			
REV.	DESCRIPTION	DATE	DESIGN



密封开孔参考尺寸(只供参考)
 组装外壳时需要打环保润滑油



Bestcreate Technology Limited

TOLERANCES UNLESS OTHERWISE SPECIFIED:

X.	± 0.20	X.'	± 10'
.X	± 0.15	.X'	± 8'
.XX	± 0.10	.XX'	± 5'

DESIGN: I. L DATE: 2026. 05. 09

CHECKED: C. W DATE: 2026. 05. 09

APPROVED: C. W DATE: 2026. 05. 09

TITLE: IP68 WATERPROOF 24P USB C FEMALE CONNECTOR SMT 180° H=10.0

MATERILA: PART NO: U06-CFXX5R-W199 SIZE: A4

FINSH: DWG NO: U06-CFXX5R-W199 2 OF 2

REV: A	UNIT mm	SCALE 1=1	QUALITY SYMBOLS
--------	---------	-----------	-----------------

Website: www.bsc-elec.com
 Email: bestcreate@bsc-elec.com