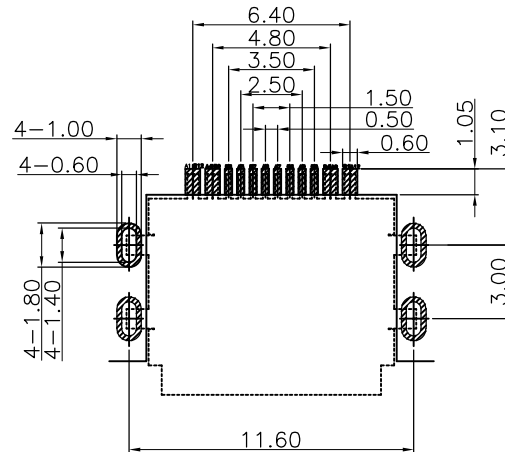
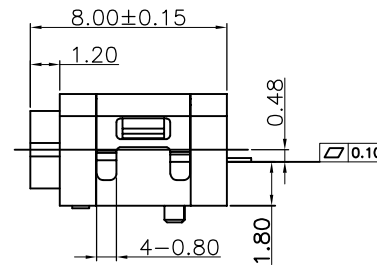
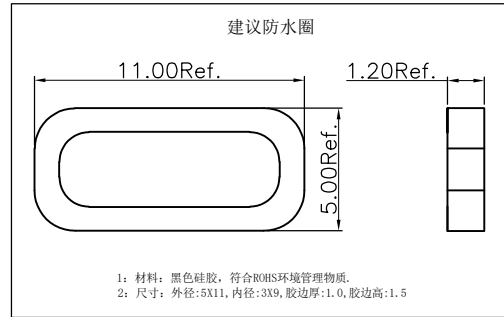
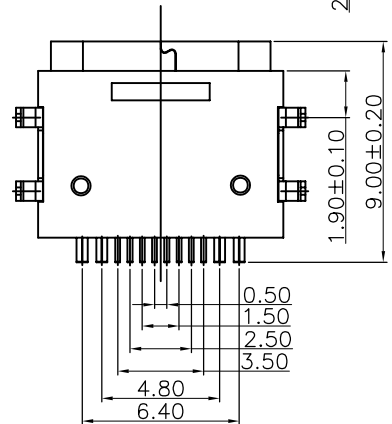
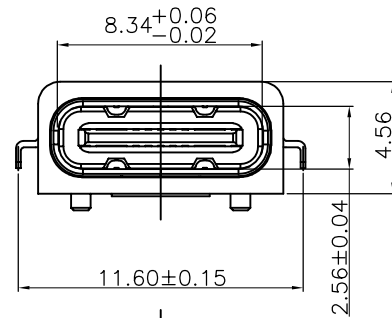
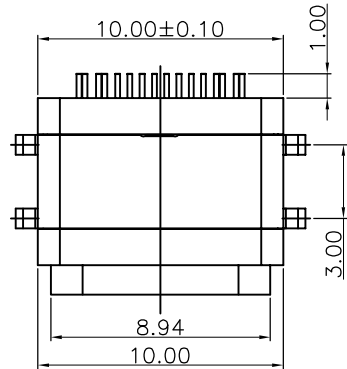
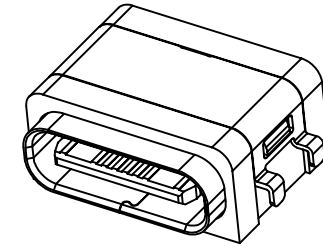


RoHS Compliant



REVISIONS

| REV. | DESCRIPTION | DATE | DESIGN |
|------|-------------|------|--------|
|      |             |      |        |



NOTES:

SPECIFICATION:

- CURRENT RATING: 5A MAX.
- VOLTAGE: 100 VAC
- TEMPERATURE RANGE: -40 °C ~ 85 °C
- CONTACT RESISTANCE: 40 MILLIONHM MAX.
- INSULATION RESISTANCE: 100 MEGOHMS MIN.
- INSERTION FORCE : 5N~20N
- UNMATING FORCE: 8N~20N
- DURABILITY: 10,000 CYCLES
- Water Resistance: IPX7

PART NO. INFORMATION

U06-C F X X 5 R - W194

- PORT TYPE  
C: TYPE C
- GENDER  
F: FEMALE  
M: MALE
- CONTACT PLATED  
1: GOLD FLASH  
2: GOLD 30"  
3: GOLD 50"  
4: GOLD 100"  
5: GOLD 150"  
6: GOLD 300"
- PACKAGE  
R: TAPE REEL
- HOUSING COLOR  
2: WHITE  
5: BLACK  
9: NATURE
- HOUSING MATERIAL  
A: LCP B: PBT  
C: PA9T D: PA6T  
E: PA46 F: PA66  
G: PA10T

|     |             |     |             |
|-----|-------------|-----|-------------|
| A1  | GND         | B12 | GND         |
| A4  | VBUS        | B9  | VBUS        |
| A5  | CC1         | B8  | SBU2        |
| A6  | DP1         | B7  | DN2         |
| A7  | DN1         | B6  | DP2         |
| A8  | SBU1        | B5  | CC2         |
| A9  | VBUS        | B4  | VBUS        |
| A12 | GND         | B1  | GND         |
| PIN | SIGNAL NAME | PIN | SIGNAL NAME |

Bestcreate Technology Limited

TOLERANCES UNLESS OTHERWISE SPECIFIED:

|     |        |      |      |
|-----|--------|------|------|
| X.  | ± 0.35 | X.*  | ± 4* |
| .X  | ± 0.30 | .X*  | ± 3* |
| .XX | ± 0.25 | .XX* | ± 2* |

Website: [www.bsc-elec.com](http://www.bsc-elec.com)  
Email: [bestcreate@bsc-elec.com](mailto:bestcreate@bsc-elec.com)

DESIGN: I. L DATE: 2018. 7. 7

CHECKED: C. W DATE: 2018. 7. 7

APPROVED: C. W DATE: 2018. 7. 7

TITLE: IPX7 TYPE C FEMALE 16P MID MOUNT 1.8MM CONNECTOR SMT TYPE

MATERILA: PART NO: U06-CFXX5R-W194 SIZE: A4

FINSH: DWG NO: U06-CFXX5R-W194 1 OF 1

REV: A UNIT mm SCALE 1=1 QUALITY SYMBOLS