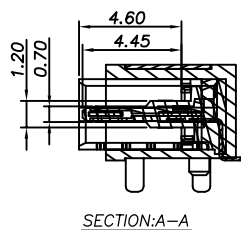
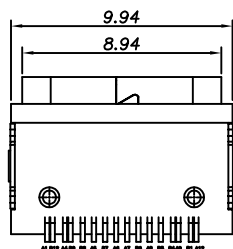
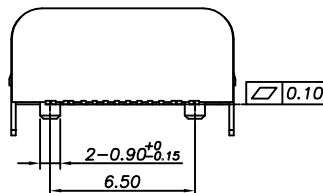
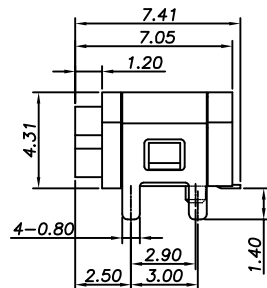
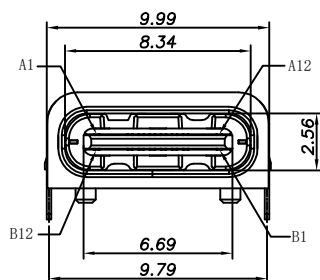
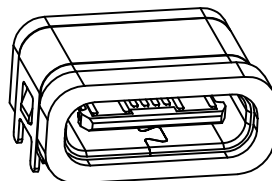
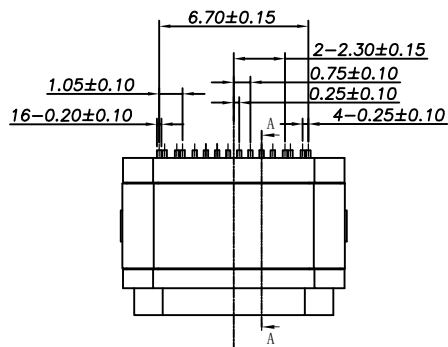


RoHS Compliant

REVISIONS			
REV.	DESCRIPTION	DATE	DESIGN



PART NO. INFORMATION

**U06-C F X X 5 X - W047**

- PORT TYPE  
C: TYPE C
- GENDER  
F: FEMALE  
M: MALE
- CONTACT PLATED  
1: GOLD FLASH  
2: GOLD 3U"  
3: GOLD 5U"  
4: GOLD 10U"  
5: GOLD 15U"  
6: GOLD 30U"
- PACKAGE  
R: TAPE&REEL
- HOUSING COLOR  
2: WHITE  
5: BLACK  
9: NATURE
- HOUSING MATERIAL  
A: LCP B: PBT  
C: PA9T D: PA6T  
E: PA46 F: PA66

NOTE:

- 1.MATERIAL SPECIFICATION:
  - 1.HOUSING: HIGH TEMPERATURE RESISTANT PLASTIC,UL94 V-0.
  - 2.COVER: STAINLESS STEEL.
  - 3.CONTACTS: COPPER ALLOY
  - 4.MID PLATE: STAINLESS STEEL
  - 5.SHELL: STAINLESS STEEL
  - 6.O-RING: SILICONE RUBBER,BLACK
- 2.PLATING SPECIFICATION:
  - 2-1.CONTACTS:  
Ni 50u" MIN. UNDER PLATED OVER ALL.  
SEE TABLE 1 ON THE FUNCTIONAL AREA OF CONTACT.  
SEE TABLE 1 ON THE SOLDER AREA OF CONTACT.
  - 2-2.SHELL:  
Ni 30u" MIN. UNDER PLATED OVER ALL.
  - 2-3.COVER:  
Ni 30u" MIN. UNDER PLATED OVER ALL.
  - 2-4.MID PLATE:  
CLEAR ONLY.
- 3.MECHANICAL PERFORMANCE,
  - 3-1.INSERTION FORCE: 5~20N.
  - 3-2.REMOVAL FORCE: 8~20N.
  - 3-3.DURABILITY: 10000 CYCLES.
- 4.ELECTRICAL PERFORMANCE,
  - 4-1. CURRENT RATING:3.0A  
VOLTAGE RATING:5.0V
  - 4-2. LLCR:  
VBUS & GND PINS AND OTHER PINS: 40mΩ/PIN MAX.  
SHIELD: 50mΩ/MAX.  
LLCR MAX. CHANGE OF ALL PINS: 10mΩ.
  - 4-3.INSULATION RESISTANCE: 100MΩ MIN
  - 4-4.DIELECTRIC WITHSTAND VOLTAGE,AC 100V FOR 1 MINUTE.
- 5.ENVIRONMENTAL PERFORMANCE:  
OPERATING TEMPERATURE: -30℃~+85℃.
- 6.IR REFLOW:  
THE PEAK TEMPERATURE ON THE BOARD SHALL BE MAINTAINED FOR 10 SECONDS AT 260℃.
7. WATER PROOFNESS:THIS PRODUCT IS BASED ON IPX6.

**Bestcreate Technology Limited**

TOLERANCES UNLESS OTHERWISE SPECIFIED:

.X	± 0.30	X."	± 10"
.XX	± 0.20	.X"	± 8"
.XXX	± 0.10	.XX"	± 5"

Website:www.bsc-elec.com  
Email:bestcreate@bsc-elec.com

DESIGN: I. L DATE:

CHECKED: C. W DATE:

APPROVED: C. W DATE:

TITLE:

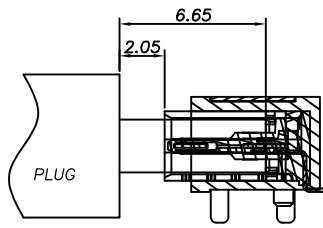
IPX6 Waterproof 16P Type C USB Female Connector

MATERILA:	PART NO: U06-CFXX5X-W047	SIZE: A4
FINSH:	DWG NO: U06-CFXX5X-W047	

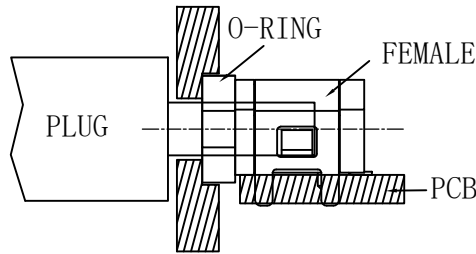
REV: A	UNIT mm	SCALE 1=1	QUALITY SYMBOLS
--------	---------	-----------	-----------------

RoHS Compliant

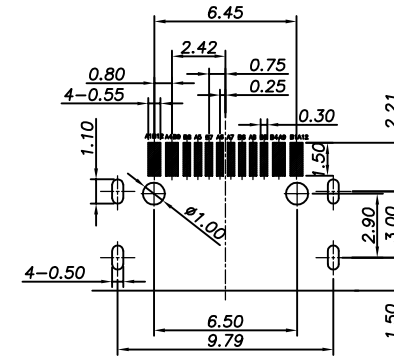
REVISIONS			
REV.	DESCRIPTION	DATE	DESIGN



AFTER MATING



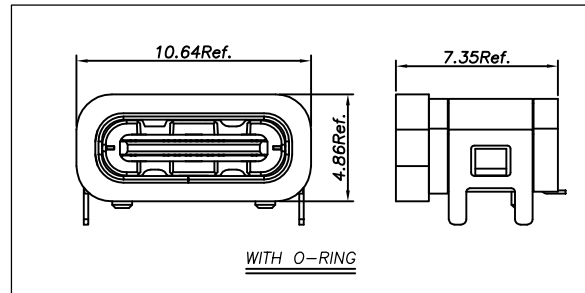
组装面板防水示意图



RECOMMENDED P.C.B. LAYOUT  
TOLERANCE UNSPECIFIED ±0.05mm

USB TYPE-C PIN ASSIGNMENTS

A1	GND	B12	GND
A4	VBUS	B9	VBUS
A5	CC1	B8	SBU2
A6	DP1	B7	DN2
A7	DN1	B6	DP2
A8	SBU1	B5	CC2
A9	VBUS	B4	VBUS
A12	GND	B1	GND
PIN	SIGNAL NAME	PIN	SIGNAL NAME



WITH O-RING

**Bestcreate Technology Limited**

TOLERANCES UNLESS OTHERWISE SPECIFIED:

.X	± 0.30	.X*	± 10°
.XX	± 0.20	.X*	± 8°
.XXX	± 0.10	.XX*	± 5°

Website: [www.bsc-elec.com](http://www.bsc-elec.com)  
Email: [bestcreate@bsc-elec.com](mailto:bestcreate@bsc-elec.com)

DESIGN: I. L      DATE:

CHECKED: C. W      DATE:

APPROVED: C. W      DATE:

TITLE: IPX6 Waterproof 16P Type C USB Female Connector

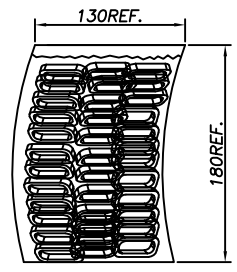
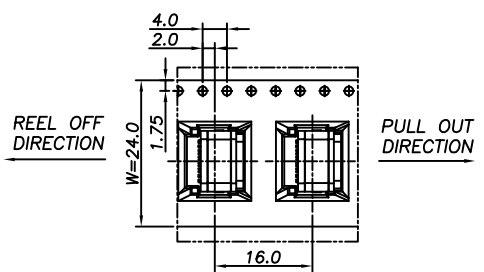
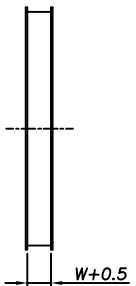
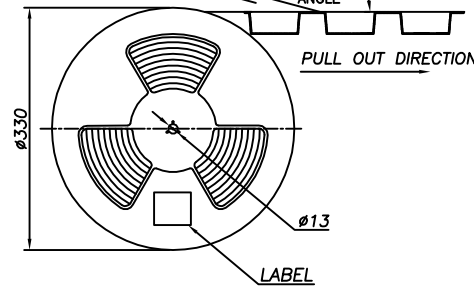
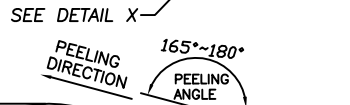
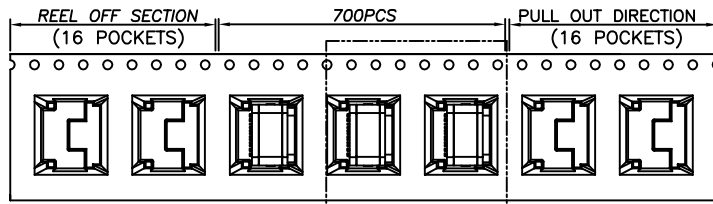
MATERIAL:      PART NO: U06-CFXX5X-W047      SIZE: A4

FINISH:      DWG NO: U06-CFXX5X-W047

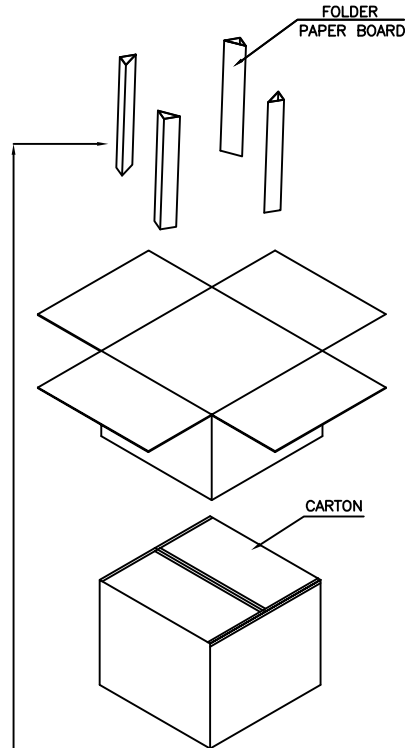
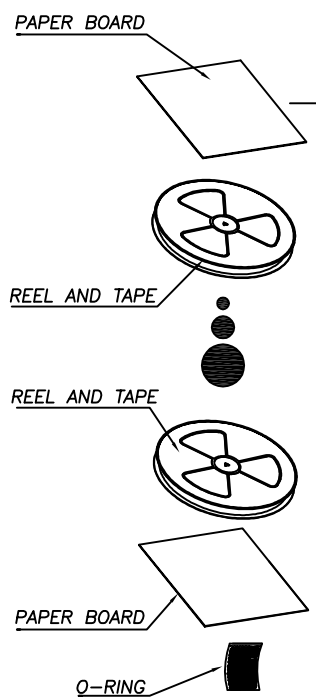
REV: A      UNIT: mm      SCALE: 1=1      QUALITY SYMBOLS:

RoHS Compliant

REVISIONS			
REV.	DESCRIPTION	DATE	DESIGN



1000PCS/BAG  
O-RING



	REEL	CARTON
CONNECTOR (PCS)	700	7000

**Bestcreate Technology Limited**

TOLERANCES UNLESS OTHERWISE SPECIFIED:

.X	± 0.30	X.*	± 10°
.XX	± 0.20	.X*	± 8°
.XXX	± 0.10	.XX*	± 5°

Website: [www.bsc-elec.com](http://www.bsc-elec.com)  
Email: [bestcreate@bsc-elec.com](mailto:bestcreate@bsc-elec.com)

DESIGN: I. L	DATE:
CHECKED: C. W	DATE:
APPROVED: C. W	DATE:

TITLE: IPX6 Waterproof 16P Type C USB Female Connector		
MATERILA:	PART NO: U06-CFXX5X-W047	SIZE: A4
FINSH:	DWG NO: U06-CFXX5X-W047	

REV: A	UNIT mm	SCALE 1=1	QUALITY SYMBOLS	
-----------	------------	--------------	-----------------	--