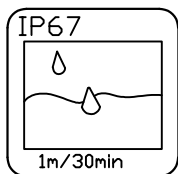


RoHS Compliant



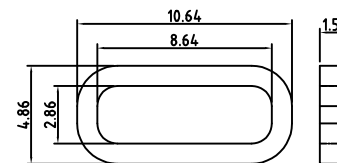
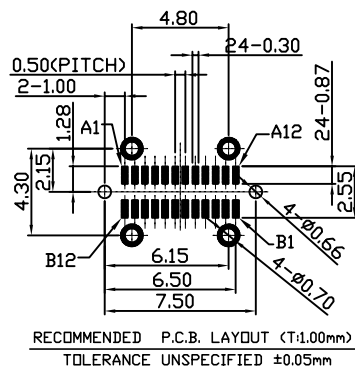
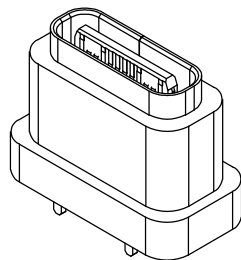
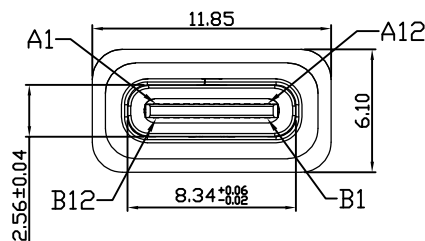
PIN NUMBER	SIGNAL NAME	PIN NUMBER	SIGNAL NAME
A1	GND	B12	GND
A2	SSTXp1	B11	SSRXp1
A3	SSTXn1	B10	SSRXn1
A4	VBUS	B9	VBUS
A5	CC1	B8	SBU2
A6	Dp1	B7	Dn2
A7	Dn1	B6	Dp2
A8	SBU1	B5	CC2
A9	VBUS	B4	VBUS
A10	SSRXn2	B3	SSTXn2
A11	SSRXp2	B2	SSTXp2
A12	GND	B1	GND

REVISIONS			
REV.	DESCRIPTION	DATE	DESIGN

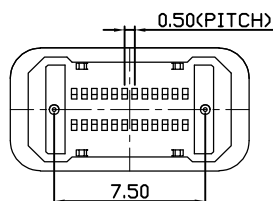
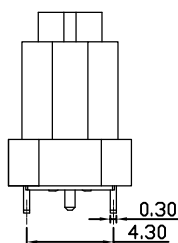
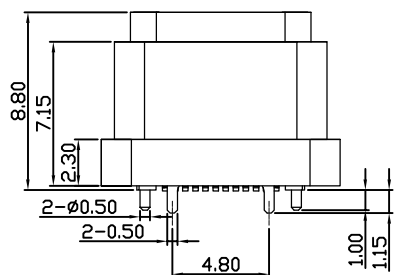
NOTES:

SPECIFICATION:

- CURRENT RATING: 3.0A MAX
- DIELECTRIC WITHSTAND VOLTAGE: 100VAC
- TEMPERATURE RANGE: -30 °C ~ 85 °C
- CONTACT RESISTANCE: 40 MILLIONHM MAX
- INSULATION RESISTANCE: 100 MEGOHMS MIN.
- INSERTION FORCE : 5N~20N
- UNMATING FORCE: 8N~20N
- DURABILITY:10,000 CYCLES



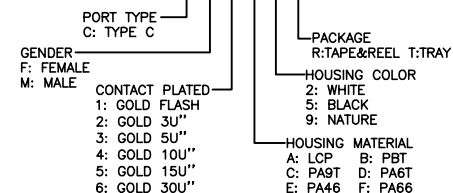
RECOMMEND DIMENSION OF RUBBER



NO.	DESCRIPTION	MATERIAL	REMARKS	QTY
6	防水圈	硅胶	BLACK	IPCS
5	SHELL	STAINLESS STEEL	NI Plated	IPCS
4	SHIELDING PLATE	STAINLESS STEEL	NI Plated	IPCS
3	CONTACT	COPPER ALLOY	Au/Ni Plated	1SET
2	SHELL HOUSING	HIGH TEMPERATURE PLASTIC	BLACK	IPCS
1	HOUSING	HIGH TEMPERATURE PLASTIC	BLACK	IPCS

PART NO. INFORMATION

U06-C F X X 5 R - W067



**Bestcreate Technology Limited**

TOLERANCES UNLESS OTHERWISE SPECIFIED:

.X	± 0.30	.X'	± 2'
.XX	± 0.10	.X''	± 1'
.XXX	± 0.05	.X'''	± 0.5'

DESIGN:  
I. L

DATE:

TITLE:

IPX7 Waterproof 24P USB C Female Connector SMT

CHECKED:  
C. W

DATE:

MATERIAL:

PART NO:  
U06-CFXX5R-W067

SIZE:  
A4

REV:  
A

UNIT

SCALE  
3  
1=1

QUALITY SYMBOL

Website:www.bsc-elec.com

Email:bestcreate@bsc-elec.com

APPROVED:  
C. W

DATE:

FINISH:

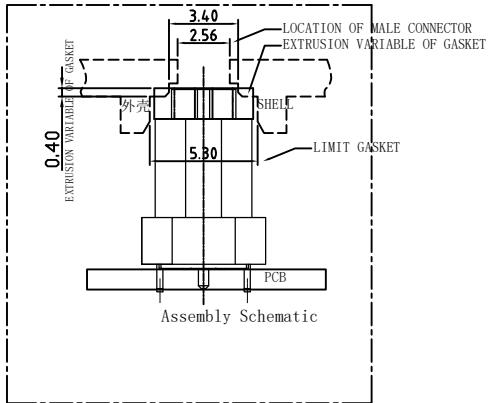
DWG NO:  
U06-CFXX5R-W067

1 OF 2

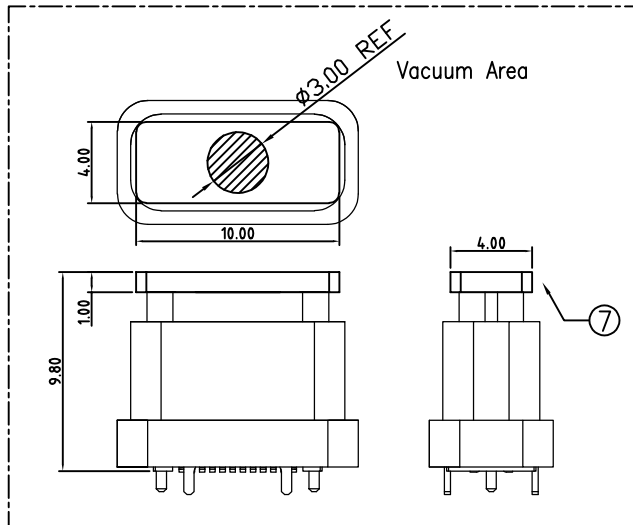
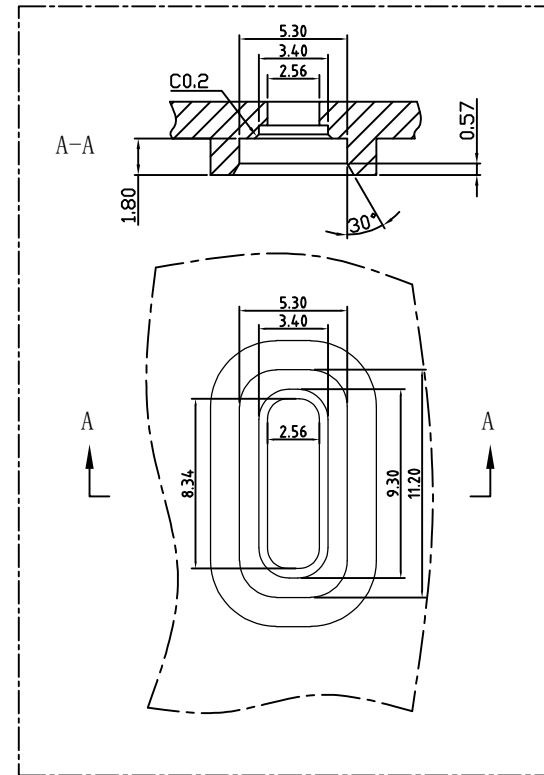
RoHS Compliant

REVISIONS			
REV.	DESCRIPTION	DATE	DESIGN

Assembly Schematic



DESIGN DRAWING OF SHELL



**Bestcreate Technology Limited**

TOLERANCES UNLESS OTHERWISE SPECIFIED:

.X	± 0.30	X.*	± 2*
.XX	± 0.10	.X*	± 1*
.XXX	± 0.05	.XX*	± 0.5*

Website: [www.bsc-elec.com](http://www.bsc-elec.com)  
 Email: [bestcreate@bsc-elec.com](mailto:bestcreate@bsc-elec.com)

DESIGN: I. L      DATE:

CHECKED: C. W      DATE:

APPROVED: C. W      DATE:

TITLE: IPX7 Waterproof 24P USB C Female Connector SMT

MATERIAL:      PART NO: U06-CFXX5R-W067      SIZE: A4

FINISH:      DWG NO: U06-CFXX5R-W067      2 OF 2

REV: A      UNIT: mm      SCALE: 1=1      QUALITY SYMBOL: