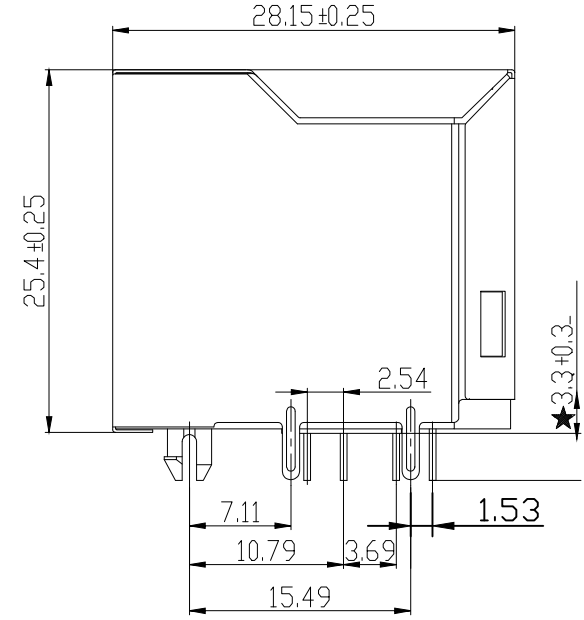
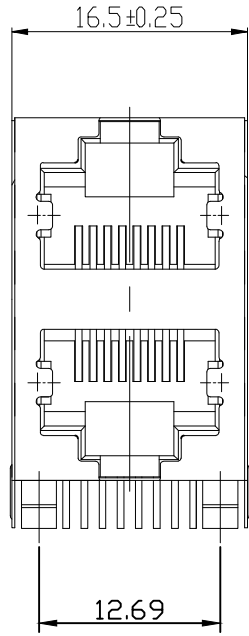


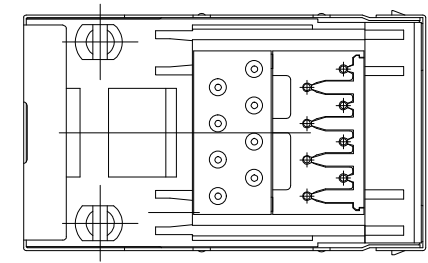
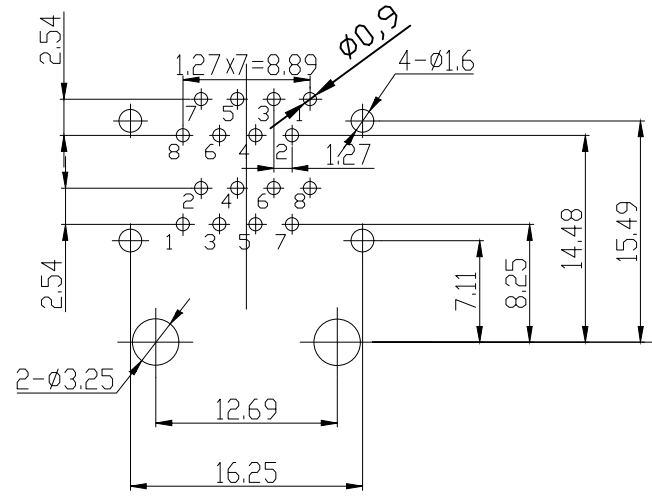
RoHS Compliant

REVISIONS			
REV.	DESCRIPTION	DATE	DESIGN



NOTES

- MATERIAL**
- 1. HOUSING MATERIAL : PBT BLACK UL94V-0.
  - 2. CONTACT MATERIAL : PHOSPHOR BRONZE  $\phi 0.46$ mm.
  - 3. PLATING : GOLD FLASH PLATING OVER NICKEL.
  - 4. SHIELD : BRASS T=0.20mm WITH NICKEL PLATED.
- ELECTRICAL**
- 1. VOLTAGE RATING : 125 VAC RMS.
  - 2. CURRENT RATING : 1.5 AMP.
  - 3. CONTACT RESISTANCE : 40 MILLIOHMS MAX.
  - 4. INSULATION RESISTANCE : 500 MEGOHMS MIN @ 100V DC .
  - 5. DIELECTRIC DIELECTRIC RESISTANCE : 500V DC RMS 50Hz. 1MIN.
- MECHANICAL**
- 1. DURRABILITY : 750 CYCLES MIN.
  - 2. MATING/UNMATING FORC: 2.24 KG. F MAX.
- ENVIRONMENTAL :**
- 1. OPERATION : -40°C ~ +85°C.
  - 2. STORAGE : 0° C TO 70° C.



PART NO. INFORMATION

**RJ01- X 5 2 X - 046**

CONTACT PLATED  
 1: G/F      2: AU 3U"  
 3: AU 6U"      PACKAGE  
                                  R: TAPE REEL  
                                  T: TRAY

HOUSING:  
 1.LCP BLACK  
 2.PBT BLACK  
 3.PA46 BLACK  
 4.PA9T BLACK

**Bestcreate Technology Limited**

TOLERANCES UNLESS OTHERWISE SPECIFIED:			
.X	± 0.35	X.*	± 3"
.XX	± 0.25	.X*	± 2"
.XXX	± 0.15	.XX*	± 1"

Website: [www.bsc-elec.com](http://www.bsc-elec.com)  
 Email: [bestcreate@bsc-elec.com](mailto:bestcreate@bsc-elec.com)

DESIGN:	DATE:
I. L	2017. 3. 1
CHECKED:	DATE:
C. W	2017. 3. 1
APPROVED:	DATE:
C. W	2017. 3. 1

TITLE:		
5921 2x1 RJ45 8P8C FEMALE CONNECTOR DIP TYPE		
MATERILA:	PART NO:	SIZE:
	RJ01-X52X-046	A4
FINSH:	DWG NO:	
	RJ01-X52X-046	

REV:	UNIT	SCALE	QUALITY SYMBOLS
A	mm	1=1	